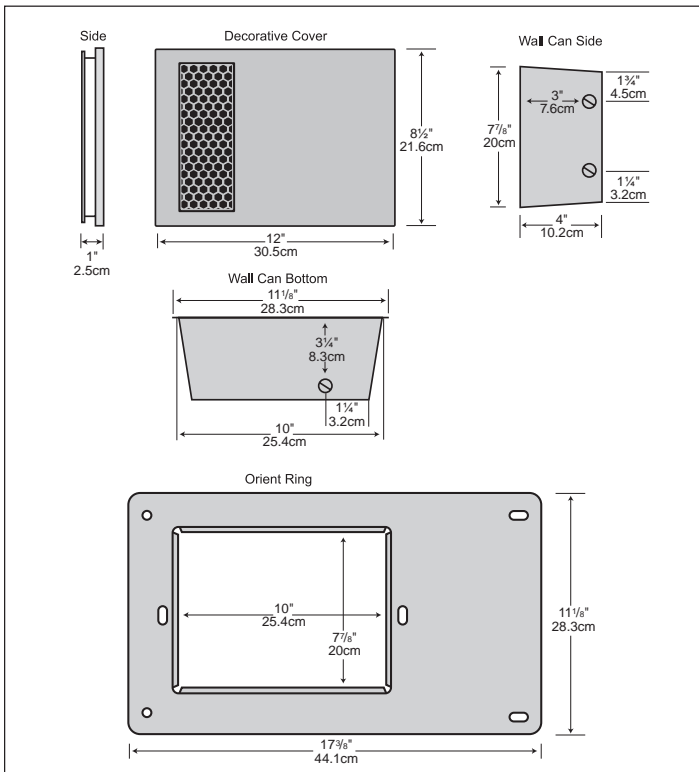


Benefits You Can Depend On

- Gain living space - place furniture anywhere in your room
- Modern style decorative cover helps heater blend in to your living space
 - Magnetic attachment holds cover in place
 - Optional cover mounting screws included for greater security
- Common sense components designed with you in mind
 - No sharp edges
 - Corrosion resistant
 - Easy to install heater
- Safe for you and your family
 - Mounts high on wall away from children and pets
 - Peace of mind with automatic high temperature shutoff feature
- Easy-to-install orient ring assists in a level, flush installation of wall can
- Your Cadet heater has been thoroughly tested and is guaranteed with a **limited 5 year warranty**



Information is also available on our website:

<http://www.cadetheat.com/products/wall-heaters/apex72>

Apex72 Models			
Line Voltage	Model	Watts	Amps
240	HW162 (1)	1600	6.7
	HW132	1300	5.4
	HW102	1000	4.2
	HW082	800	3.3
	HW052	500	2.1
208	HW168	1600	7.7
	HW128	1200	5.8
	HW108	1000	4.8
	HW078	750	3.6
	HW058	525	2.5
120	HW038	375	1.8
	HW151	1500	12.5
	HW101	1000	8.3
	HW051	500	4.2

(1) Model HW162 can be used at 208 volts. Wattage equals 75% of 240v rated wattage.

Selection and Requirements - All Apex72 Models

All models require an electronic wall thermostat (not included).

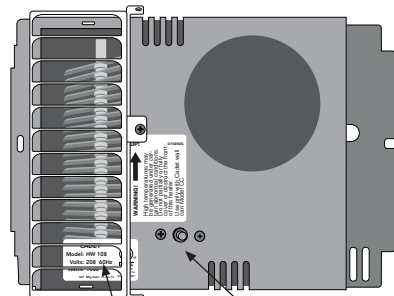
Use ACCA Manual J (Residential load calculation) or local codes for determining heater wattage.

Follow clearance minimums of 10 inches from ceiling, 6 inches from adjacent surfaces, and 72 inches from floor.

Maximum distance from bottom of wall can to floor is 90 inches for ceilings 9 feet and higher.

For ceilings greater than 9 feet, a ceiling fan with a cooling thermostat is recommended for optimum performance.

Mount only in a horizontal position, oriented only as shown below.



Apex72
Horizontal
Mount
Only



Rating Label Reset Button

- TOOLS REQUIRED:**
- Phillips Screwdriver
 - Straight Screwdriver
 - Wire Strippers
 - Level

- Utility Knife
- (6) 1 1/2" Wood Screws
- (2) Insulated Wire Connectors
- (1) Strain Relief Connector

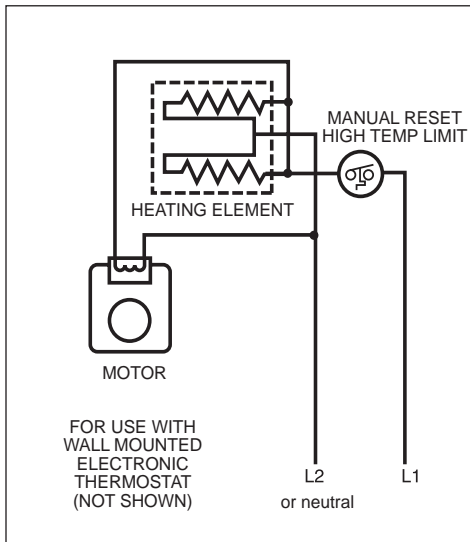
SAVE THESE INSTRUCTIONS

IMPORTANT INSTRUCTIONS

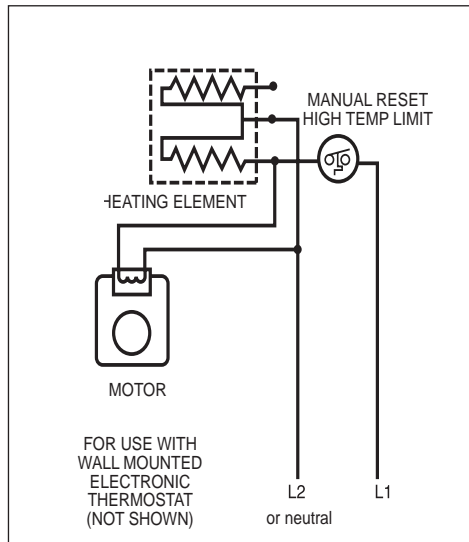
When using electrical appliances, basic precautions should always be followed to reduce the risk of fire, electric shock, and injury to persons, including the following:

1. Read all instructions before installing or using this heater.
2. High temperatures may be generated under certain abnormal conditions. Do not partially or fully cover or obstruct the front of this heater.
3. Do not operate any heater after it malfunctions. Disconnect power at service panel and have heater inspected by a qualified electrician before reusing.
4. Do not use outdoors.
5. To disconnect heater, turn controls to off, and turn off power to heater circuit at main disconnect panel.
6. Do not insert or allow foreign objects to enter any ventilation or exhaust opening as this may cause an electric shock or fire, or damage the heater.
7. To prevent a possible fire, do not block air intakes or exhaust in any manner.
8. A heater has hot and arcing or sparking parts inside. Do not use it in areas where gasoline, paint, or flammable vapors or liquids are used or stored.
9. Use this heater only as described in this manual. Any other use not recommended by the manufacturer may cause fire, electrical shock, or injury to persons.
10. The Apex72 decorative cover includes four neodymium magnets. Neodymium magnets have extremely strong magnetic fields. Should magnets detach from the plastic cover, handling them with care is necessary to prevent personal injuries.
11. Save these instructions.

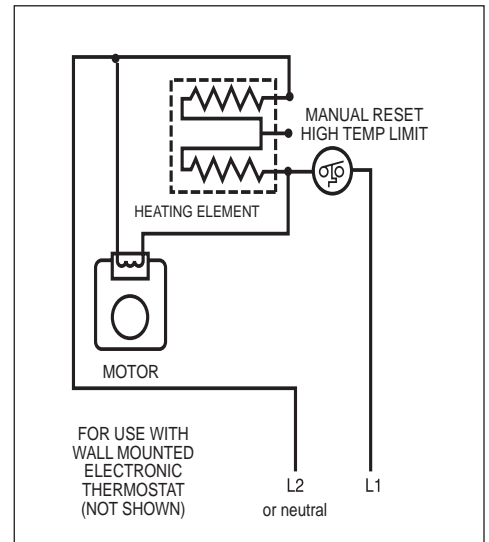
Wiring Diagrams



Models HW162, HW132, HW168, HW128, HW108, HW151, HW101



Models HW082, HW052, HW058, HW038, HW051



Models HW102, HW078

SAVE THESE INSTRUCTIONS

INSTALLATION INSTRUCTIONS

1. All electrical work and materials must comply with the National Electric Code (NEC), the Occupational Safety and Health Act (OSHA), and all state and local codes.
2. Use copper conductors only.
3. Verify that the electrical supply wires are the same voltage as the heater.
4. DO NOT install the heater directly above bathtub or sink. DO NOT install in shower stall area (Manufacturer recommends a minimum 2 foot clearance).
5. An electronic wall thermostat is required.
6. Heater must be installed in a wall can:
 - Model HW Wall Can CC or CCSM

7. Use orient ring to properly align wall can and make sure it is flush with sheetrock.
8. DO NOT install the heater in a floor, in the ceiling, below a towel bar, behind a door, or anywhere the air discharge may be blocked in any manner.
9. A heater has hot and arcing or sparking parts inside. Do not use it in areas where gasoline, paint, or flammable vapors or liquids are used or stored.
10. Connect grounding lead to grounding screw provided. Keep all foreign objects out of heater.
11. DANGER. High temperatures may be generated under certain abnormal conditions. Do not partially or fully cover or obstruct the front of this heater.

IMPORTANT: Review placement requirements before beginning installation!

PLACEMENT REQUIREMENTS (See Figure 3):

- Wall can must be mounted in a level, horizontal position;
- Required minimum distance from bottom of wall can to floor for an 8 foot ceiling is 72 inches, maximum 78 inches;
- Required minimum distance from bottom of wall can to floor for a 9 foot or greater ceiling is 72 inches, maximum 90 inches;
- Top of wall can must be installed a minimum of 10 inches away from ceiling, and a minimum of 6 inches away from adjacent walls;
- For ceilings greater than 9 feet, a ceiling fan with a cooling thermostat is recommended for optimum performance.
- Wall can face must be flush with sheetrock.
- Where ceiling sprinklers are present, the Apex72 needs a minimum clearance of 4 feet from sprinkler heads.

STEP 1 Route Supply Wires

Route supply wire from the circuit breaker, to the thermostat, then to the stud cavity where the heater/wall can will be located.

STEP 2 Mount the Orient Ring

For new construction, position orient ring horizontally on studs, with label facing you, and attach to both studs with two wood screws (not included) on each side (See Figure 1). Use a level to ensure proper alignment. The 90 degree lip on the inside of the orient ring cutout should butt up to a wall stud on the left side, or if rotated 180 degrees, on the right side (See Figure 2). Proceed with drywall installation.

STEP 3 Cut Sheetrock and Mount The Wall Can

Using a sheetrock saw (not included) and the installed orient ring or template on page 6, cut sheetrock 10 inches wide by 7⁷/₈ inches tall and secure supply wires prior to mounting wall can. The orient ring or template can also be used to cut a properly sized hole if installing in an existing wall.

Remove a knockout from the wall can and attach the supply wire with a strain relief connector (not included) leaving a minimum of 6 inches wire lead. Connect supply ground wire to grounding screw in wall can with a wire connector (not included). (See Figure 4).

Mount the wall can securely to stud with 2 screws (not included) through holes provided in the wall can (See Figure 4).

STEP 4 Install Heater Assembly

Orient the heater so the red reset button is positioned on the bottom and the heating element is on the left (See Figure 5). The heating element will be covered by the metal outlet grill. Connect the supply wires to the heater with insulated wire connectors (not included). Install the heater into the D-shaped tabs and secure with screw provided on left hand side. The right hand side of the assembly can be adjusted to provide leveling of the heater and decorative cover.

Note: Warranty is void if any material is sprayed on the element or blower. Use a paint mask to cover any exposed areas of the heater if walls are to be textured or painted.

STEP 5 Install Metal Outlet Grill

Install metal outlet grill from decorative cover kit onto heater assembly: Slide the two tabs on the left side of the outlet grill under the two slots on the left side of the heater assembly. Then insert the small tabs at the top and bottom of the outlet grill into place. Attach with 3/8" #6 black screw provided in decorative cover kit. (See instructions in decorative cover kit).

STEP 6 Install Decorative Cover

The decorative cover is held in place with permanent magnets. If desired, the cover can be further secured with two 1/2" #8 retention screws provided in decorative cover kit. Attach retention screws at top and bottom of decorative cover only after the outlet grill has been installed on the heater assembly and attached with the 3/8" #6 black screw.

Turn power on at the main disconnect panel.

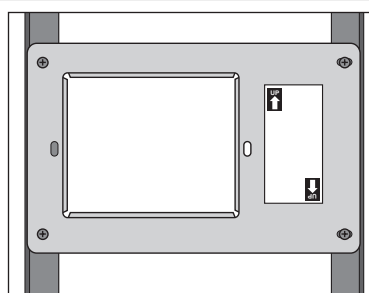


Figure 1

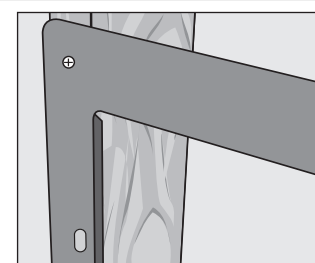


Figure 2

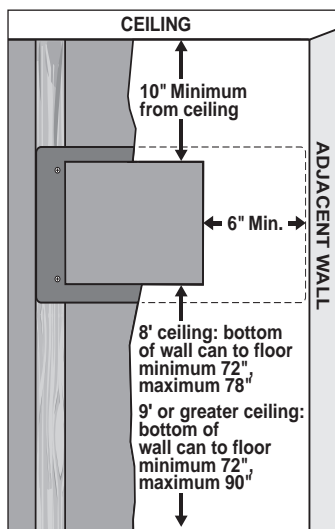


Figure 3

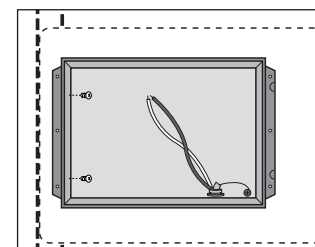
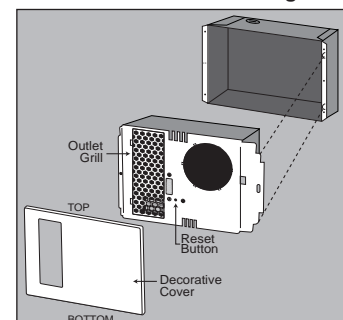


Figure 4



Orientation

Figure 5

OPERATING INSTRUCTIONS

1. The heater must be properly installed before it is used.
2. **DANGER.** High temperatures may be generated under certain abnormal conditions. Do not partially or fully cover or obstruct the front of this heater.
3. If the heater over temperature limit trips more than once per day, the heater must be replaced.
4. Clean heater at least every 24 months or as required. See “MAINTAINING YOUR HEATER” section.
5. Any other service not detailed in this Owner’s Guide should be performed by an authorized service representative.

How to operate your heater

The room temperature is controlled by an electronic, line voltage thermostat located on the wall. Once installation is complete and power has been restored, follow the instructions in the programming and operating guide included with your thermostat.

About the Manual Reset Temperature Limit Control

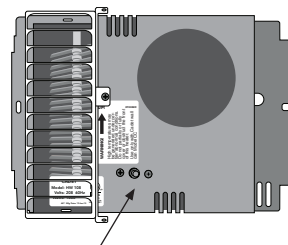
The heater is protected by a temperature-limiting control. The manual reset temperature limit control is designed to open the heater circuit and stop the electrical current flow when excessive operating temperatures are detected. The problem must be assessed and the limit must be reset to resume operation.

Resetting the Manual Reset Limit Control

Resetting the Manual Reset Temperature Limit Control

If the manual reset limit control has opened the heater circuit due to excessive operating temperatures, the heater will not work until the manual reset limit button is pressed.

After allowing the unit to cool for at least 10 minutes and resolving the problem causing the limit to trip (typically the heater is blocked or needs cleaning—see MAINTAINING YOUR HEATER); remove the decorative cover and use a narrow object such as a ball-point pen to access the manual reset button on the lower-left center section of the heater assembly. Press **FIRMLY** and be sure to listen and feel for a click, indicating it has been reset.



Manual Reset Limit Button

Warranty

For more effective and safer operation and to prolong the life of the heater, read the Owner’s Guide and follow the maintenance instructions. Failure to properly maintain the heater will void any warranty and may cause the heater to function improperly. Warranties are non transferable and apply to original consumer only. Warranty terms are set out below.

LIMITED FIVE-YEAR WARRANTY: Cadet will repair or replace any Apex72 (HW) heater found to be defective within five years after the date of purchase.

These warranties do not apply:

1. Damage occurs to the product through improper installation or incorrect supply voltage;
2. Damage occurs to the product through improper maintenance, misuse, abuse, accident, or alteration;
3. The product is serviced by anyone other than Cadet;
4. If the date of manufacture of the product cannot be determined;
5. If the product is damaged during shipping through no fault of Cadet.
6. The use of unauthorized accessories or unauthorized components constitutes an alteration and voids all warranties. Refer to Cadet website or call customer service at 855.CADET.US for list of authorized accessories and components.
7. CADET’S WARRANTY IS LIMITED TO REPAIR OR REPLACEMENT AS SET OUT HEREIN. CADET SHALL NOT BE LIABLE FOR DAMAGES SUCH AS PROPERTY DAMAGE OR FOR CONSEQUENTIAL DAMAGES AND/OR INCIDENTAL EXPENSES RESULTING FROM BREACH OF THESE WRITTEN WARRANTIES OR ANY EXPRESS OR IMPLIED WARRANTY.

8. IN THE EVENT CADET ELECTS TO REPLACE ANY PART OF YOUR CADET PRODUCT, THE REPLACEMENT PARTS ARE SUBJECT TO THE SAME WARRANTIES AS THE PRODUCT. THE INSTALLATION OF REPLACEMENT PARTS DOES NOT MODIFY OR EXTEND THE UNDERLYING WARRANTIES. REPLACEMENT OR REPAIR OF ANY CADET PRODUCT OR PART DOES NOT CREATE ANY NEW WARRANTIES.

9. These warranties give you specific legal rights, and you may also have other rights which vary from state to state. Cadet neither assumes, nor authorizes anyone to assume for it, any other obligation or liability in connection with its products other than as set out herein.

If you believe your Cadet product is defective, please contact Cadet Manufacturing Co. at 855.CADET.US, during the warranty period, for instructions on how to have the repair or replacement processed. Warranty claims made after the warranty period has expired will be denied. Products returned without authorization will be refused.

Parts and Service

Visit cadetheat.com/parts-service for information on where to obtain parts and service.

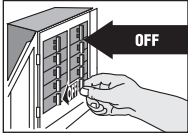
Reduce-Reuse-Recycle

This product is made primarily of recyclable materials. You can reduce your carbon footprint by recycling this product at the end of its useful life. Contact your local recycling support center for further recycling instructions.



MAINTAINING YOUR HEATER

Maintenance As Needed, or every 24 months minimum.



⚠ WARNING! Before removing grill, turn the electrical power off at the main disconnect panel (circuit breaker or fuse box). Lock or tag the main disconnect panel door to prevent someone from accidentally turning the power on while you are working on the heater. Failure to do so could result in serious electrical shock, burns, or possible death.

⚠ WARNING: Any other service not detailed in this Owner's Guide should be performed by an authorized service representative.

1. It is important that you verify the circuit breaker has been turned off and no power is going to the heater before proceeding. Circuit breakers are often not marked correctly and turning the wrong breaker off could mean electricity is flowing to the heater, even if the heater does not appear to be working. If you are uncomfortable working with electrical appliances, unable to follow these guidelines, or do not have the necessary equipment, consult a qualified electrician.
2. Once you verify the power has been turned off correctly, proceed to the next step.

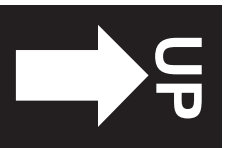
3. Allow heater to cool before servicing.
4. Remove decorative cover.
5. Wash decorative cover with hot soapy water and dry.
6. Use a hair dryer, or vacuum on blow cycle, to blow debris through the outlet grill.
7. Vacuum fan area.
8. Do not lubricate motor.
9. Replace decorative cover.
10. Turn thermostat to desired setting.
11. Turn power back on at the main disconnect panel.

Troubleshooting Chart

***CONSULT LOCAL ELECTRICAL CODES TO DETERMINE WHAT WORK MUST BE PERFORMED BY QUALIFIED ELECTRICAL SERVICE PERSONNEL.**

Symptom	Problem	Solution
Breaker trips immediately upon energizing heater.	<ol style="list-style-type: none"> 1. Incorrect supply voltage.* 2. Overloaded circuit.* 3. A short circuit exists in the supply or heater wiring.* 4. Defective circuit breaker.* 	<ol style="list-style-type: none"> 1. Verify that supply voltage matches the heater rating. 2. The total amperage of all heaters on a branch circuit must not be more than 80% of the amperage rating of the circuit breaker and supply wire ratings. Use a lower wattage heater, or reduce the number of heaters on the circuit. 3. Shorted supply or heater wires may be accompanied by severe sparking. Inspect all supply and heater wiring insulation for damage. Do not reset the circuit breaker until all electrical shorts have been repaired. 4. Replace the circuit breaker.
Heater fan operates, but does not discharge warm air.	<ol style="list-style-type: none"> 1. Insufficient element temperature. 2. Incorrect supply voltage.* 3. Element has failed.* 	<ol style="list-style-type: none"> 1. Allow a few moments for element to reach operating temperature. 2. Verify that supply voltage matches the heater rating. 3. Replace element.
Heater will not shut off.	<ol style="list-style-type: none"> 1. Heat loss from room is greater than heater capacity.* 2. Defective thermostat. 3. Thermostat wired incorrectly to heater.* 	<ol style="list-style-type: none"> 1. Close doors and windows. Provide additional insulation, or install a higher wattage heater or multiple heaters if necessary. (If your circuit is rated for more capacity.) 2. Adjust thermostat to its lowest setting. If heater continues to run (allow two minutes for the thermostat to respond), and room temperature is greater than 50°, replace the thermostat. 3. Refer to thermostat documentation and correct wiring.
Heater discharges smoke or emits a burnt odor.	<ol style="list-style-type: none"> 1. Dust, lint or other matter has accumulated inside heater. 2. Poor or loose electrical connections. 	<ol style="list-style-type: none"> 1. Clean heater (see "MAINTAINING YOUR HEATER" section above for instructions). 2. Turn off power at circuit breaker. Inspect all supply and heater wire connections to make sure nothing is loose or poorly connected. Secure or reconnect all loose connections. Do not reset circuit breaker until all connections have been checked and repaired.
Element heats for a moment without the fan turning, then immediately stops heating.	<ol style="list-style-type: none"> 1. Defective motor or internal connection.* 2. Fan or motor jammed. 	<ol style="list-style-type: none"> 1. Heater or fan motor requires replacement. 2. Remove obstruction and press heater manual reset button (see "OPERATING INSTRUCTIONS" section).
Heater does not run.	<ol style="list-style-type: none"> 1. Thermostat set too low. 2. Heater has tripped the manual reset temperature limit control. 3. Power not on at the circuit breaker. 4. Broken or poorly connected wire(s) to heater. 5. Defective thermostat. 	<ol style="list-style-type: none"> 1. Adjust thermostat to a higher temperature until heater operates (see Problem #5 if the problem persists). 2. Press the manual reset button (see "OPERATING INSTRUCTIONS" section). 3. Turn on the correct circuit breaker in the main disconnect panel. 4. Turn off power at circuit breaker. Check supply wire continuity and proper connection to heater wires. 5. The entire heater, or any of its components may be checked for continuity to determine the cause of any problems. Repair or replace the heater or thermostat.
Heater continually trips the manual reset temperature limit control.	<ol style="list-style-type: none"> 1. Dust, lint or other matter has accumulated inside heater. 2. Airflow is blocked. 3. Fan or motor is jammed. 4. None of the above. 	<ol style="list-style-type: none"> 1. Clean heater (see "MAINTAINING YOUR HEATER" section for instructions). 2. Remove obstruction. Maintain a minimum distance of 6 inches from adjacent surfaces, 10 inches from ceiling, 72 inches from the floor, and 3 feet from furniture or other objects placed directly in front of the heater. 3. Remove obstruction, and press heater manual reset button (see "OPERATING INSTRUCTIONS" section). 4. Replace heater assembly.

CUT ALONG THIS LINE



**APPEX72 CUTOUT
TEMPLATE
10" WIDE X 7⁷/₈" HIGH**
PRINT ONLY AT 100% SIZE (DO NOT SCALE)

CUT ALONG THIS LINE

Guía Para el Propietario

También puede encontrar información en nuestro sitio web:
<http://www.cadetheat.com/products/wall-heaters/apex72>

Beneficios En Las Que Puede Confiar

- Gane espacio vital; coloque sus muebles en cualquier lugar de la habitación
- La moderna cubierta decorativa contribuye a que el calentador combine donde lo coloque
 - Un accesorio magnético mantiene la cubierta en su lugar
 - Se incluyen tornillos opcionales de montaje de la cubierta para mayor seguridad
- Componentes diseñados con sentido común, teniendo al usuario en mente
 - No hay bordes afilados
 - Resistente a la corrosión
 - Calentador fácil de instalar
- Seguro para usted y su familia
 - Se monta alto en la pared, lejos de niños y mascotas
 - Tranquilidad y seguridad gracias a la característica de corte automático por alta temperatura
- Anillo guía fácil de colocar para ayudar en la instalación nivelada de la cámara de pared
- El calentador Cadet se ha probado completamente y cuenta con el respaldo de una **garantía limitada de 5 años**

Modelos Apex72			
Voltaje Linea	Modelo	Vatios	Amps
240	HW162 (1)	1600	6.7
	HW132	1300	5.4
	HW102	1000	4.2
	HW082	800	3.3
	HW052	500	2.1
208	HW168	1600	7.7
	HW128	1200	5.8
	HW108	1000	4.8
	HW078	750	3.6
	HW058	525	2.5
120	HW038	375	1.8
	HW151	1500	12.5
	HW101	1000	8.3
	HW051	500	4.2

(1) Los modelos de 240 voltios pueden usarse a 208 voltios. El vatiaje es igual al 75% de la potencia nominal de 240 v.

Selección y Requisitos - Todos los Modelos Apex72

Todos los modelos requieren un termostato mural electrónico (no incluida).

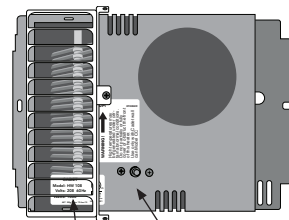
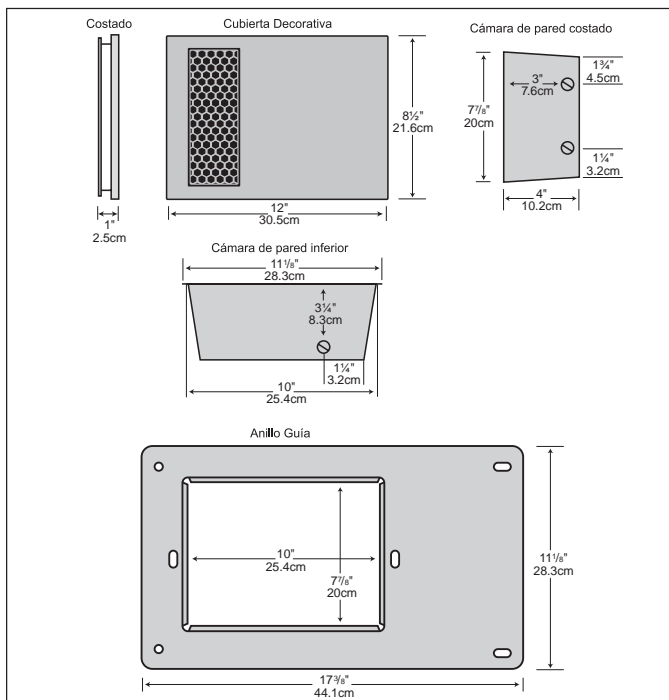
Utilice el Manual ACCA J (cálculo de carga residencial) o los códigos locales para determinar el vatiaje del calentador.

Acate los espaciados mínimos de 10 pulgadas desde el cielo raso, 6 pulgadas desde las superficies adyacentes y 72 pulgadas desde el piso.

La distancia máxima desde la base de la cámara de pared al piso es de 90 pulgadas para los cielos rasos de 9 pies y más.

Para los cielos rasos superiores a 9 pies, se recomienda un ventilador para cielo raso con un termostato de enfriamiento a fin de obtener un rendimiento óptimo.

Monte sólo en posición horizontal, orientado sólo como se indica a continuación.



Apex72
Montaje
Horizontal
Sólo



Etiqueta Calificación

Botón de Límite de
Reglaje Manual

- HERRAMIENTAS NECESARIAS:**
- Cuchillo Multiuso
 - Destornillador Phillips
 - Destornillador Plano
 - Pelacables
 - Nivel
 - (6) Tornillos de 1 1/2" para Madera
 - (2) Conectores de Alambre Aislados
 - (1) Conector de Alivio de Tensión

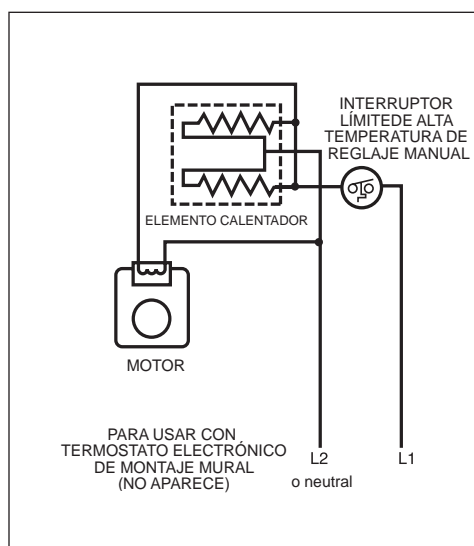
CONSERVE ESTAS INSTRUCCIONES

INSTRUCCIONES IMPORTANTES

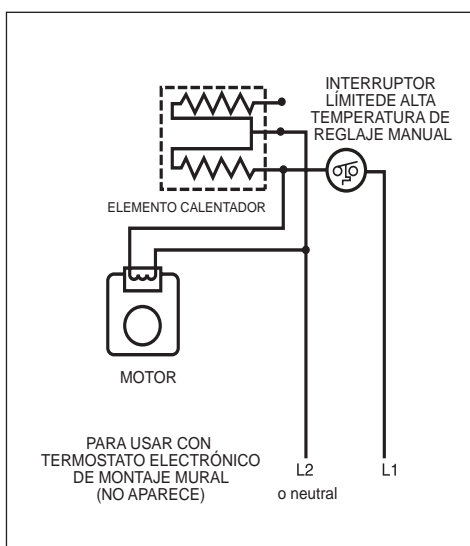
Al utilizar artefactos eléctricos, siempre se deben adoptar precauciones básicas para reducir el riesgo de incendios, electrocución y lesiones personales, incluyendo lo siguiente:

1. Lea todas las instrucciones antes de instalar o usar este calentador.
2. Bajo ciertas condiciones anormales se pueden generar altas temperaturas. No cubra total ni parcialmente la cubierta, ni obstruya la parte delantera del calentador.
3. No opere ningún calentador después de que tenga alguna avería. Desconecte la alimentación en el panel de servicio y haga que lo inspeccione un técnico eléctrico calificado antes de volver a utilizarlo.
4. No lo use afuera o al aire libre.
5. Para desconectar el calentador, gire los controles a la posición de apagado, y apague el circuito del calentador en el panel de desconexión principal.
6. No introduzca ni permita que ingresen objetos en las aberturas de la ventilación o escape, ya que ello puede causar electrocución o incendio, o bien dañar el calentador.
7. Para evitar posibles incendios, no bloquee las tomas de aire ni el escape de manera alguna.
8. Todo calentador contiene piezas que se calientan y pueden producir arcos voltaicos o chispas. No lo use en áreas donde se utilice o almacene gasolina, pintura, o vapores o líquidos inflamables.
9. Use este calentador sólo como se describe en este manual. Todo otro uso no recomendado por el fabricante puede causar incendios, descargas eléctricas o lesiones personales.
10. La cubierta decorativa Apex72 incluye cuatro imanes de neodimio. Los imanes de neodimio generan campos magnéticos muy potentes. Si los imanes se separan de la cubierta plástica, es preciso manipularlos con cuidado para evitar lesiones personales.
11. Conserve estas instrucciones.

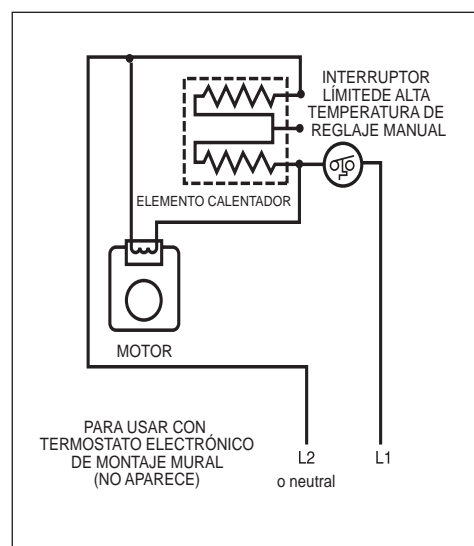
Diagramas de cableado



Los modelos HW162, HW132, HW168, HW128, HW108, HW151, HW101



Los modelos HW082, HW052, HW058, HW038, HW051



Los modelos HW102, HW078

CONSERVE ESTAS INSTRUCCIONES

cadetheat.com Tel: 855.CADET.US PO Box 1675 Vancouver, WA 98668-1675

INSTRUCCIONES PARA LA INSTALACIÓN

1. Todo trabajo y materiales eléctricos deben cumplir con el Código Eléctrico Nacional ("NEC", por su sigla en inglés), con la Ley de Seguridad y Salud Ocupacional ("OSHA", por su sigla en inglés) y con todos los códigos estatales y locales.
2. Use sólo conductores de cobre.
3. Verifique que todos los cables de suministro eléctrico sean del mismo voltaje que el calentador.
4. NO instale el calentador directamente sobre la tina o lavamanos. NO lo instale en la zona de la ducha (el fabricante recomienda un espacio mínimo de 2 pies).
5. Se requiere un termostato mural electrónico.
6. El calentador se debe instalar en la cámara de pared:

Modelo HW Cámara de Pared CC o CCSM

7. Use un anillo guía para alinear debidamente la cámara de pared y cerciórese de que quede a ras con la lámina de yeso.
8. NO instale el calentador en el piso, en el cielo raso, bajo la barra de la toalla, detrás de una puerta ni en ningún otro lugar en el que la descarga de aire se pueda bloquear de alguna manera.
9. Todo calentador contiene piezas que se calientan y pueden producir arcos voltaicos o chispas. No lo use en áreas donde se utilice o almacene gasolina, pintura, o vapores o líquidos inflamables.
10. Conecte el conductor a tierra al tornillo de puesta a tierra suministrado. Evite que entren objetos extraños al calentador.
11. PELIGRO. Bajo ciertas condiciones anormales se pueden generar altas temperaturas. No tape total ni parcialmente la cubierta, ni obstruya la parte delantera del calentador.

IMPORTANTE: ¡Revise los requisitos de ubicación antes de comenzar la instalación!

REQUISITOS DE UBICACIÓN (Ver la Figura 3):

- La cámara de pared se debe montar en una posición nivelada y horizontal;
- La distancia mínima desde la base de la cámara de pared al piso para un cielo raso de 8 pies es de 72 pulgadas, máximo 78 pulgadas;
- La distancia mínima desde la base de la cámara de pared al piso para un cielo raso de 9 pies es de 72 pulgadas, máximo 90 pulgadas;
- La parte superior de la cámara mural se debe instalar a un mínimo de 10 pulgadas del cielo raso, y a un mínimo de 6 pulgadas de distancia de las paredes adyacentes;
- Para los cielos rasos superiores a 9 pies, se recomienda un ventilador para cielo raso con un termostato de enfriamiento a fin de obtener un rendimiento óptimo;
- La cara de la cámara de pared debe quedar a ras con la lámina de yeso.
- En las zonas en que haya aspersores en el cielo raso, el Apex72 necesita un espaciado mínimo de 4 pies respecto de los cabezales del aspersor.

PASO 1 Dirija los alambres de suministro

Dirija el cable de suministro desde el cortacircuito al termostato y luego a la cavidad del puntal, donde se instalará el calentador/cámara de pared.

PASO 2 Monte el Anillo Guía

Para una construcción nueva, coloque horizontalmente el anillo de orientación en los largueros, con la etiqueta dando hacia usted, y únalo a ellos con dos tornillos para madera (no incluidos) a cada lado (consulte la Figura 1). Utilice un nivel para garantizar la correcta alineación. El reborde de 90 grados en la parte interior del anillo guía debiera quedar a tope con el puntal de la pared en el lado izquierdo; o bien, si se gira en 180 grados, en el lado derecho (consulte la Figura 2). Proceda con la instalación de la pared de yeso.

PASO 3 Corte la Muralla e Instale la Cámara de Pared

Utilizando una sierra para paredes de yeso (no incluida) y el anillo de orientación instalado o plantilla de la página 6, corte 10 pulgadas de la pared a lo ancho por 7 1/8 pulgadas a lo alto y resguarde los alambres eléctricos antes de montar la cámara de pared. El anillo de orientación o plantilla también se puede usar para cortar un orificio del tamaño correcto si es que va a realizar la instalación en una pared ya existente.

Quite uno de los destapaderos de la cámara de pared y empalme el cable de suministro mediante un conector de alivio de tensión (no incluida), dejando un mínimo de 6 pulgadas de cable de conexión. Conecte el cable de suministro a tierra al tornillo de puesta a tierra situado en la cámara de pared con un conector de alambre (no incluida). (Ver la Figura 4).

Monte la cámara de pared firmemente contra el puntal con 2 tornillos (no incluidos) mediante los orificios que vienen en la cámara (Ver la Figura 4).

PASO 4 Instale la Unidad del Calentador

Oriente el calentador de modo que el botón rojo de restablecimiento quede posicionado en la parte inferior y el elemento calentador quede al lado izquierdo (Consulte la Figura 5). El elemento calentador quedará cubierto por la rejilla metálica de salida. Empalme los alambres del suministro con los del calentador mediante los conectores de cable aislados (no incluidos). Instale el calentador en las orejetas con forma de D y asegúrelo con el tornillo que va al lado izquierdo. El lado derecho del conjunto se puede ajustar para proporcionar un nivelado del calentador y la cubierta decorativa.

Nota: La garantía pierde su validez si se rocía algún producto en el elemento o en el soplador. Cubra con cinta para pintura todas las áreas expuestas del calentador si las paredes se pintarán o se les dará textura.

PASO 5 Instale la Rejilla Metálica de Salida

Instale la rejilla metálica del juego de cubierta decorativa en el conjunto del calentador: Deslice las dos orejetas en el lado izquierdo de la salida de la rejilla debajo de las dos ranuras en el lado izquierdo del conjunto del calentador. Luego encaje las dos pequeñas orejetas en la parte superior e inferior de la rejilla de salida. Fijela con el tornillo negro No. 6 de 3/8" suministrado en el juego de cubierta decorativa. (Consulte las instrucciones en el juego de cubierta decorativa).

PASO 6 Instale la Cubierta Decorativa

La cubierta decorativa se fija en su lugar mediante imanes permanentes. Si lo desea, la cubierta se puede fijar aún más con dos tornillos de retención No. 8 de 1/2", que vienen en el juego correspondiente. Conecte los tornillos de retención en la parte superior e inferior de la cubierta decorativa sólo después de haber instalado la rejilla de salida en el conjunto del calentador y de haberla fijado con el tornillo negro No. 6 de 3/8".

Conecte la alimentación en el panel de desconexión principal.

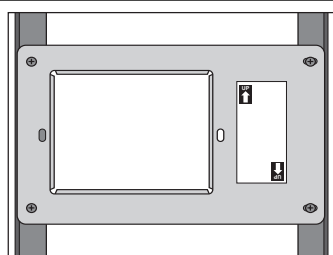


Figura 1

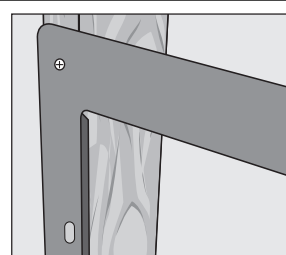


Figura 2

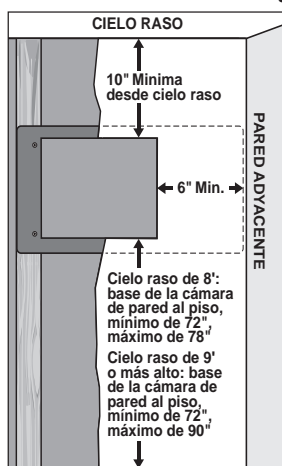


Figura 3

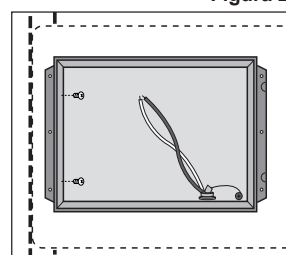
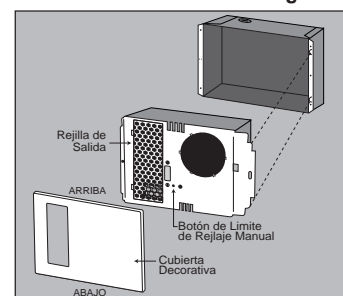


Figura 4



Orientación

Figura 5

OPERACIÓN DEL CALENTADOR

1. El calentador debe instalarse correctamente antes de usarlo.
2. PELIGRO. Bajo ciertas condiciones anormales se pueden generar altas temperaturas. No cubra total ni parcialmente la cubierta ni obstruya la parte delantera de este calentador.
3. Si el límite de temperatura del calentador se disyunta más de una vez al día, se debe reemplazar el calentador.
4. Limpie el calentador por lo menos cada 24 meses o según sea necesario. Consulte la sección "MANTENIMIENTO DEL CALENTADOR".
5. Todo otro servicio no detallado en esta Guía del propietario lo debe efectuar un representante del servicio autorizado.

Cómo hacer funcionar el calentador

La temperatura ambiente se controla mediante un termostato electrónico de voltaje de línea situado en la pared. Una vez que la instalación ha finalizado y se ha restablecido el suministro eléctrico, siga las instrucciones en la guía de programación y operación incluidas con el aparato.

Acerca del control de límite de temperatura de reglaje manual

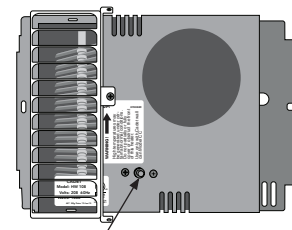
El calentador está protegido por un control de limitación de temperatura. El control limitador de temperatura con reglaje manual está diseñado para abrir el circuito del calentador y detener el flujo de corriente eléctrica cuando se detectan temperaturas de funcionamiento excesivas. El problema debe evaluarse y el límite debe restablecerse para que el calentador vuelva a funcionar.

Cómo restablecer el control de límite de reglaje manual

Cómo restablecer el control limitador de temperatura de reglaje manual

Si el control limitador de reglaje manual ha abierto el circuito del calentador debido a temperaturas de funcionamiento excesivas, el calentador no funcionará sino hasta que se oprima el botón de límite de reglaje manual.

Después de dejar que la unidad se enfríe durante al menos 10 minutos y resolver el problema que causa que se disyunte el interruptor de límite (generalmente el calentador está bloqueado o necesita limpieza-consulte las instrucciones de MANTENIMIENTO DEL CALENTADOR); retire la cubierta decorativa y utilice un objeto puntiagudo como un bolígrafo para acceder al botón de reglaje a través de la sección central inferior izquierda del conjunto del calentador. Oprima el botón FIRMEMENTE y asegúrese de escuchar y sentir un chasquido indicando que se ha restablecido.



Botón de Límite de Reglaje Manual

Garantía

Para lograr una operación más eficaz y segura y prolongar la vida útil del calentador, lea la Guía del propietario y siga las instrucciones de mantenimiento. Si no le da el mantenimiento adecuado al calentador invalidará la garantía y puede hacer que el aparato funcione incorrectamente. Las garantías no son transferibles y rigen sólo para el comprador original. Los términos de la garantía se indican a continuación.

GARANTÍA LIMITADA DE CINCO AÑOS: Cadet reparará o reemplazará todo calentador Apex72 (HM) que se determine esté averiado en un plazo de cinco años a partir de la fecha de compra.

Estas garantías no son pertinentes para:

1. Daños que sufra el producto por instalación o voltaje de suministro incorrectos;
2. Daños que sufra el producto por mantenimiento incorrecto, uso indebido, abuso, accidente o alteraciones;
3. Servicio que se le haya dado al producto por parte de personas o entidades ajenas a Cadet.
4. Casos en que no se pueda determinar la fecha de fabricación del producto;
5. Casos en que el producto resulte dañado durante el embarque por causas ajenas a Cadet.
6. El uso de accesorios o componentes no autorizados constituye una alteración e invalida las garantías. Consulte el sitio web de Cadet o bien llame al servicio al cliente al 855.CADET.US para ver una lista de los accesorios y componentes autorizados.
7. LA GARANTÍA DE CADET SE LIMITA A LA REPARACIÓN O REEMPLAZO, TAL COMO SE ESTABLECE EN ESTE DOCUMENTO. CADET NO SE HARÁ RESPONSABLE POR DAÑOS A LA PROPIEDAD O DAÑOS CONSECUENTES, COMO TAMPOCO POR GASTOS ACCIDENTALES DEBIDO AL INCUMPLIMIENTO DE ESTAS GARANTÍAS ESCRITAS O DE CUALQUIER GARANTÍA EXPRESA O IMPLÍCITA.

8. EN CASO DE QUE CADET DECIDA REEMPLAZAR ALGUNA PIEZA DEL PRODUCTO CADET, LOS REPUESTOS SE REGISTRAN POR LAS MISMAS GARANTÍAS DEL PRODUCTO. LA INSTALACIÓN O REEMPLAZO DE LOS REPUESTOS NO MODIFICA NI PROLONGA LAS GARANTÍAS VIGENTES. EL REEMPLAZO O REPARACIÓN DE TODO PRODUCTO O PIEZA CADET NO ORIGINA NINGÚN TIPO DE NUEVA GARANTÍA.

9. Estas garantías le otorgan derechos legales específicos y es posible que usted tenga otros derechos que varíen de un estado a otro. Cadet no asume ni autoriza a nadie que lo haga en su nombre, ninguna otra obligación o responsabilidad en relación con sus productos que no sean las que se establecen en este documento.

Si durante el período de garantía usted considera que su producto Cadet presenta defectos, comuníquese con Cadet Manufacturing Co. llamando al 855.CADET.US para obtener instrucciones sobre cómo tramitar la reparación o el reemplazo del producto. Los reclamos de garantía presentados después de la finalización del período no serán acogidos. Los productos que se devuelvan sin autorización serán rechazados.

Repuestos y Servicio

En cadetheat.com/parts-service encontrará información sobre dónde obtener repuestos y servicio.

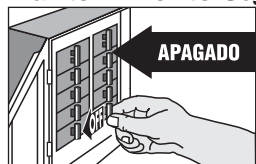


Reduzca-Reutilice-Recicle

Este producto está hecho principalmente de materiales reciclables. Puede reducir la cantidad de carbono que contribuye al medio ambiente reciclando este producto al término de su vida útil. Comuníquese con su centro local de reciclaje para obtener mayores instrucciones al respecto.

MANTENIMIENTO DEL CALENTADOR

Mantenimiento Según sea necesario, o cada 24 meses como mínimo.



⚠ ¡ADVERTENCIA! Desconecte la electricidad en el panel de desconexión principal (caja de cortacircuitos o fusibles) y trabe o coloque un cartel en la puerta del panel de desconexión principal para evitar que alguien vuelva a conectar la energía mientras se esté trabajando en el calentador. De lo contrario podrían producirse graves toques eléctricos, quemaduras e incluso la muerte.

⚠ ADVERTENCIA: Toda otra labor no detallada en esta Guía para el propietario la debe efectuar un representante de servicio autorizado.

1. Antes de proceder, es importante que usted verifique que se haya desconectado en el cortacircuito y que el calentador no reciba energía. Los cortacircuitos no suelen estar correctamente marcados, y apagar el incorrecto podría significar que sigue fluyendo electricidad al calentador, aun cuando éste parezca no estar funcionando. Si no se siente cómodo al trabajar con artefactos eléctricos, no está en condiciones de acatar estas pautas o no cuenta con los equipos necesarios, solicite los servicios de un técnico electricista calificado.

2. Una vez que verifique que se ha apagado la alimentación correctamente, prosiga con el paso siguiente.

3. Deje que el calentador se enfríe antes de darle servicio.

4. Retire la cubierta decorativa.

5. Lave la cubierta decorativa con agua caliente y jabón, y séquela.

6. Use un secador de cabello, o bien una aspiradora en el ciclo de soplado, para quitar la suciedad por la rejilla de salida.

7. Aspire la zona del ventilador.

8. No lubrique el motor.

9. Vuelva a poner la cubierta decorativa.

10. Coloque el termostato en la graduación deseada.

11. Vuelva a conectar la alimentación en el panel de desconexión principal.

Tabla de resolución de problemas

***CONSULTE LOS CÓDIGOS ELÉCTRICOS LOCALES PARA DETERMINAR QUÉ TRABAJOS DEBEN SER REALIZADOS POR PERSONAL DE SERVICIO ELÉCTRICO CALIFICADO.**

Síntoma	Problema	Solución
El interruptor se disyunta inmediatamente al encenderse el calentador.	<ol style="list-style-type: none"> 1. Voltaje de suministro incorrecto.* 2. Circuito sobrecargado.* 3. Hay un cortocircuito en los cables de suministro o del calentador.* 4. Cortacircuito defectuoso.* 	<ol style="list-style-type: none"> 1. Compruebe que el voltaje de suministro coincida con la calificación del calentador. 2. El amperaje total de todos los calentadores en un circuito de rama no debe sobrepasar el 80% de la calificación de amperaje del cortacircuito y de las calificaciones de los cables de suministro. Utilice un calentador de vatiaje inferior o reduzca la cantidad de calentadores en el circuito. 3. Los cables de suministro o del calentador que presentan cortocircuitos pueden ocasionar chispas peligrosas. Revise el aislamiento de todos los cables de suministro y del calentador para comprobar que no estén dañados. No reestablezca el cortacircuito sino hasta que se hayan reparado todos los cortocircuitos eléctricos. 4. Reemplace el cortacircuito.
El ventilador del calentador funciona pero no envía aire caliente.	<ol style="list-style-type: none"> 1. Temperatura insuficiente del elemento. 2. Voltaje de suministro incorrecto.* 3. El elemento ha fallado.* 	<ol style="list-style-type: none"> 1. Espere unos momentos para que el elemento alcance la temperatura de funcionamiento. 2. Compruebe que el voltaje de suministro coincida con la calificación del calentador. 3. Reemplace el elemento.
El calentador no se apaga.	<ol style="list-style-type: none"> 1. La fuga de calor de la habitación es superior a la capacidad del calentador.* 2. Termostato defectuoso. 3. Termostato cableado al calentador de forma incorrecta.* 	<ol style="list-style-type: none"> 1. Cierre las puertas y ventanas. Coloque aislamiento adicional, o instale un calentador de mayor vatiaje o múltiples calentadores si fuera necesario. (Si su circuito tiene mayor capacidad). 2. Ajuste el termostato a la graduación más baja. Si el calentador continúa funcionando (espere un par de minutos para que el termostato tenga tiempo de responder al ajuste) y la temperatura del ambiente es superior a 50 grados, reemplace el termostato. 3. Consulte la documentación del termostato y cableado correcto.
El calentador emite humo o un olor a quemado.	<ol style="list-style-type: none"> 1. Se han acumulado polvo, pelusas u otros materiales dentro del calentador. 2. Conexiones eléctricas deficientes o sueltas. 	<ol style="list-style-type: none"> 1. Limpie el calentador (consulte las instrucciones en la sección "MANTENIMIENTO DEL CALENTADOR" más arriba). 2. Desconecte la energía en el cortacircuito. Inspeccione todas las conexiones de alambres del suministro y del calentador para cerciorarse de que no haya nada suelto ni mal conectado. Afiance o reconecte todas las conexiones sueltas. No restablezca el cortacircuito sino hasta haber revisado y reparado todas las conexiones.
El elemento calienta por un momento sin que gire el ventilador y luego deja de calentar.	<ol style="list-style-type: none"> 1. Motor o conexión interna defectuosos.* 2. Ventilador o motor trabado. 	<ol style="list-style-type: none"> 1. Debe reemplazarse el calentador o el motor del ventilador. 2. Retire la obstrucción y oprima el botón de reglaje manual del calentador (vea las instrucciones en la sección "OPERACION DEL CALENTADOR").
El calentador no funciona.	<ol style="list-style-type: none"> 1. El termostato se ha graduado muy bajo. 2. El calentador ha disyuntado el control limitador de temperatura de reglaje manual. 3. La energía no está conectada en el cortacircuito. 4. El o los cables que van al calentador están rotos o mal conectados. 5. Termostato defectuoso. 	<ol style="list-style-type: none"> 1. Ajuste el termostato a una temperatura más alta hasta que el calentador funcione (vea el Problema No. 5 si la dificultad persiste). 2. Oprima el botón de reglaje manual (vea las instrucciones en la sección "OPERACION DEL CALENTADOR"). 3. Conecte el cortacircuito correcto en el panel de desconexión principal. 4. Desconecte la energía en el cortacircuito. Revise la continuidad del cable de suministro y la conexión apropiada a los cables del calentador. 5. Se debe revisar la continuidad de todo el calentador, o bien de sus componentes a fin de determinar la causa de los problemas. Repare o reemplace el calentador o el termostato.
El calentador disyunta continuamente el control limitador de temperatura de reglaje manual.	<ol style="list-style-type: none"> 1. Se han acumulado polvo, pelusas u otros materiales dentro del calentador. 2. El flujo de aire está bloqueado. 3. El ventilador o el motor está trabado. 4. Ninguna de las anteriores. 	<ol style="list-style-type: none"> 1. Limpie el calentador (consulte las instrucciones en la sección "MANTENIMIENTO DEL CALENTADOR"). 2. Retire la obstrucción. Mantenga una distancia mínima de 6 pulgadas de las superficies adyacentes, 10 pulgadas del cielo raso, 72 pulgadas del piso, y 3 pies de los muebles u otros objetos situados directamente delante del calentador. 3. Retire la obstrucción y oprima el botón de reglaje manual del calentador (vea las instrucciones en la sección "OPERACION DEL CALENTADOR"). 4. Reemplace el conjunto del calentador.

CORTE A LO LARGO DE ESTA LÍNEA



PLANTILLA DE CORTE DE APEX72

10" DE ANCHO X 7⁷/₈" DE ALTO

IMPRIMA SÓLO AL TAMAÑO DEL 100% (NO A ESCALAE)

CORTE A LO LARGO DE ESTA LÍNEA