



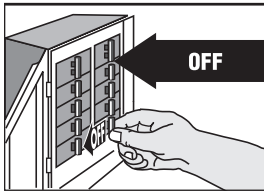
ANY HARD TO REACH OR LIMITED ACCESS AREA NEEDS AN "MTX" TO SPEED UP FASTENING.

Features & Benefits

- This precision engineered nailing tool, originally designed for mounting electric baseboard heaters, has many applications.
- The use of the MTX greatly speeds up installation.

Important Information

If you are uncomfortable working with electrical appliances, unable to follow these guidelines, or do not have the necessary equipment; consult a licensed electrician.



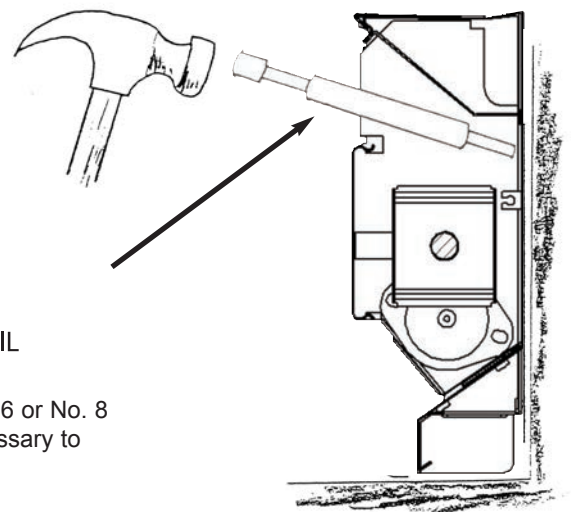
⚠ WARNING

Turn the electrical power off at the electrical panel board (circuit breaker or fuse box) and lock or tag the panel board door to prevent someone from turning on power while you are working on the heater. Failure to do so could result in serious electrical shock, burns, or possible death.

Mounting Instructions

How to Use:

1. Locate and mark the stud locations on wall with pencil.
2. Pull the center rod about half way out of the tube handle.
3. Insert one nail into the tube.
4. Position the tool and strike the anvil with a hammer.



Cadet baseboard heaters may be nailed in place using the MTX to drive a No. 6 or No. 8 duplex (double headed nail) directly through the rear of the case. It is not necessary to remove the front cover or air deflector.

SAVE THESE INSTRUCTIONS