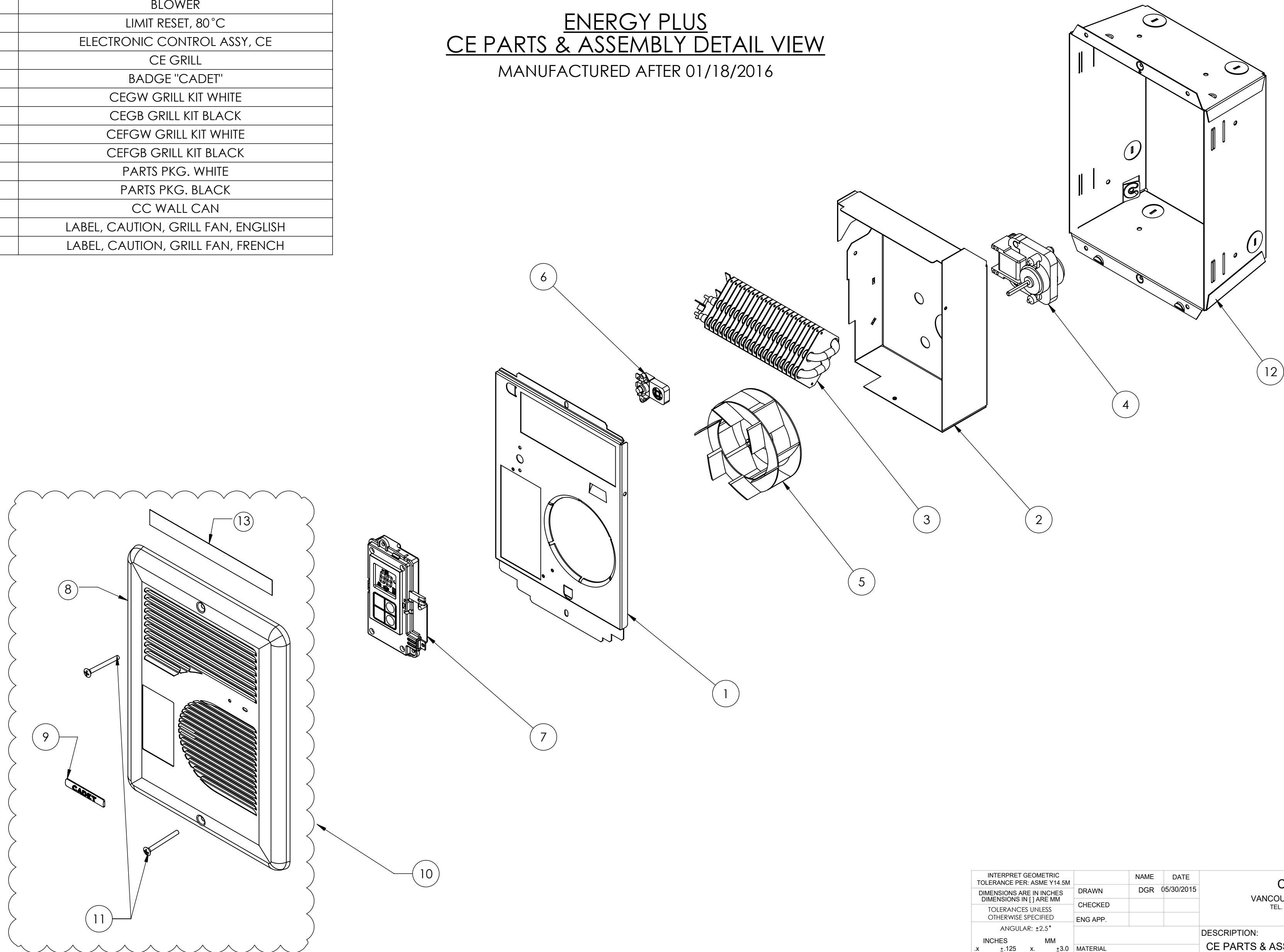


ITEM NO.	PART NUMBER	DESCRIPTION
1	---	HEATBOX, COVER, CE
2	---	HEATBOX, CE
3	053949	ELEMENT, CE163T, CEF163T
	053951	ELEMENT, CE162T
	054051	ELEMENT, CE083T
	053952	ELEMENT, CE168T
4	051444	MOTOR, CE163T, CE083T, CEF163T
	051446	MOTOR, CE162T
	051448	MOTOR, CE168T
5	040040	BLOWER
6	053115	LIMIT RESET, 80°C
7	---	ELECTRONIC CONTROL ASSY, CE
8	---	CE GRILL
9	---	BADGE "CADET"
10	65252	CEGW GRILL KIT WHITE
	65251	CEGB GRILL KIT BLACK
	65255	CEFGW GRILL KIT WHITE
	65256	CEFGB GRILL KIT BLACK
11	120704	PARTS PKG. WHITE
	100707	PARTS PKG. BLACK
12	67061	CC WALL CAN
13	070210	LABEL, CAUTION, GRILL FAN, ENGLISH
	070211	LABEL, CAUTION, GRILL FAN, FRENCH

REVISIONS					
ECN #	REV.	DESCRIPTION	DATE	DRAWN BY	APPROVED
2547	A	CREATED CD FOR PART DIAGRAM	10/21/2016	G.RALSTIN	D.CRACIUN

ENERGY PLUS
CE PARTS & ASSEMBLY DETAIL VIEW
 MANUFACTURED AFTER 01/18/2016



THE DOCUMENT IS THE PROPERTY OF CADET MANUFACTURING COMPANY AND MAY CONTAIN PROPRIETARY INFORMATION. BY ACCEPTING THIS INFORMATION, THE BORROWER AGREES THAT IT WILL NOT BE USED FOR ANY PURPOSE OTHER THAN FOR WHICH IT IS LOANED. IT MAY NOT BE REPRODUCED IN ANY MANNER AND SHOULD BE DESTROYED AFTER SERVING ITS INTENDED FUNCTION.

INTERPRET GEOMETRIC TOLERANCE PER: ASME Y14.5M DIMENSIONS ARE IN INCHES DIMENSIONS IN [] ARE MM	DRAWN DGR 05/30/2015	NAME DATE	CADET VANCOUVER, WA, U.S.A. TEL. (360) 688-2505
TOLERANCES UNLESS OTHERWISE SPECIFIED ANGULAR: ±2.5°	CHECKED	ENG APP.	
INCHES .x ±.125 .xx ±.062 .xxx ±.030 .xxxx ±.015	MATERIAL	FINISH	DESCRIPTION: CE PARTS & ASSEMBLY DETAIL VIEW
MM x ±3.0 .x ±1.5 .xx ±.75 .xxx ±.50	SCALE: 1:2	990015.SLDDRW	SIZE C
DO NOT SCALE DRAWING	990015	SHEET 1 OF 1	REV -

C:\Users\gralstin\Documents\CEP1