

ITEM NUMBER	PART NUMBER	DESCRIPTION
1	67061	CC / CS CMPK WALL CAN
2	051402	MOTOR, CM202/CM168, 2000W 240V, .195A
	051406	MOTOR, CM208, 208V
	051421	MOTOR, CM162, 240V SLOW
3	---	HTBX, CM202 CM162, BLACK
4	040040	BLOWER, 1 PIECE, C/CS/CT/CST/CM/CB, PLASTIC
5	053945	ELMT, CM162, 700-900-1600 240V **
	053952	ELMT, CM168, 700-900-1600 208V **
	053946	ELMT, CM202, 500-700-800-2000 240V **
	053948	ELMT, CM208, 500-700-800-2000 208V **
6	053116	LIMIT RESET, 70C, CB CM CE *
7	---	HTBX COVER, CM, BLACK
8	67075	CGA GRILL KIT W/ PARTS ALMOND (INCL.#9-#12)
	67079	CGW GRILL KIT W/ PARTS WHITE (INCL.#9-#12)
9	120702	PARTS PKG. ALMOND SCREWS ONLY (2)
	120704	PARTS PKG. WHITE SCREWS ONLY (2)
10	040003	KNOB, C/CT/CM, SP ALM
	040004	KNOB, C/CS/CT/CST/CM/UC, SP WHITE
	040032	KNOB, C/CT/RM/CM, DP ALM
	040062	KNOB, C/CT/RM/CM/B/UC, DP WHITE
11	100705	PARTS PKG, ALMOND W/SP KNOB AND SCREWS
	100706	PARTS PKG, WHITE W/SP KNOB AND SCREWS
12	040015	PLUG CADET, ALMOND
	040010	PLUG CADET, WHITE
13	65015	CMGA GRILL W/PARTS ALMOND (INCL.#9)
	65005	CMGW GRILL W/PARTS WHITE (INCL.#9)

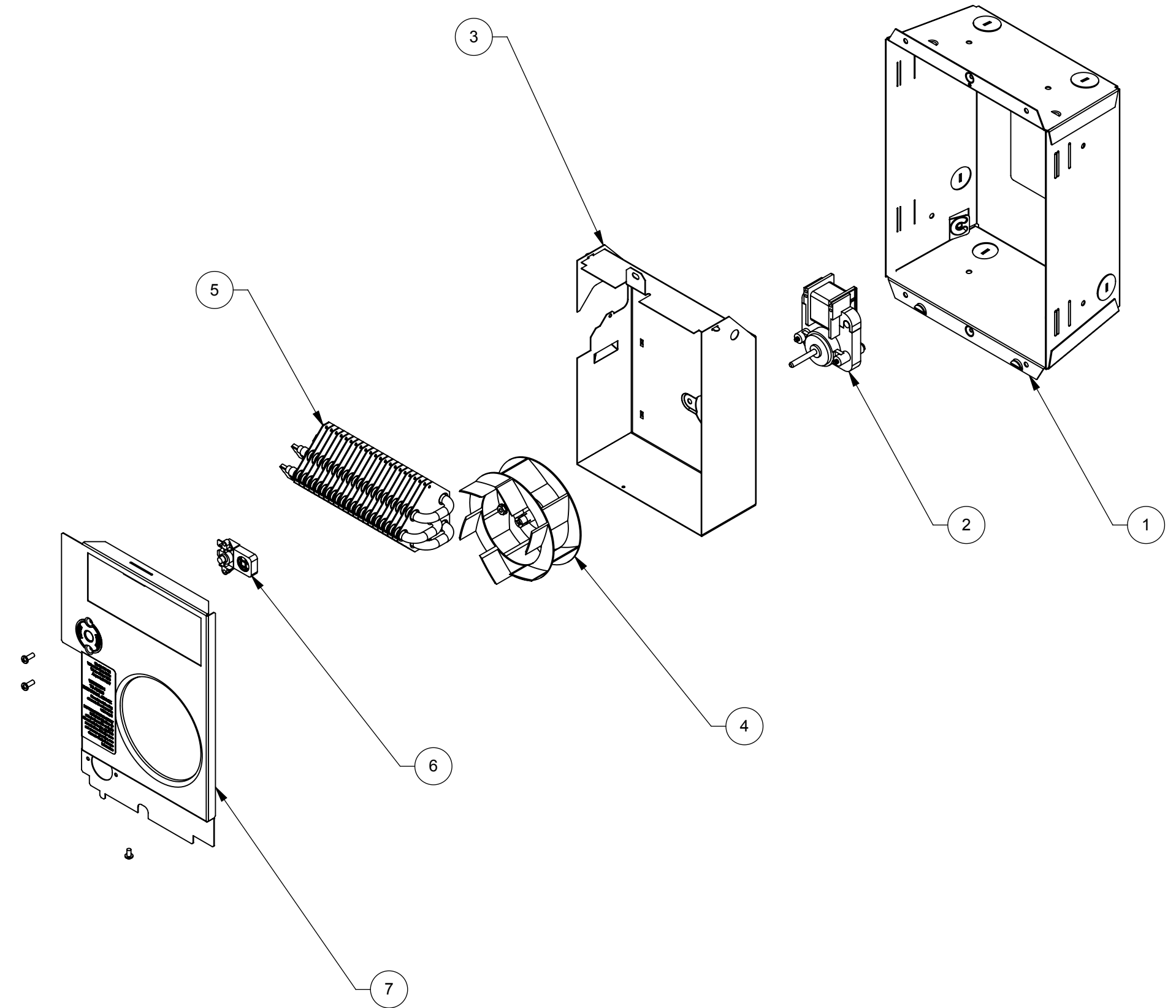
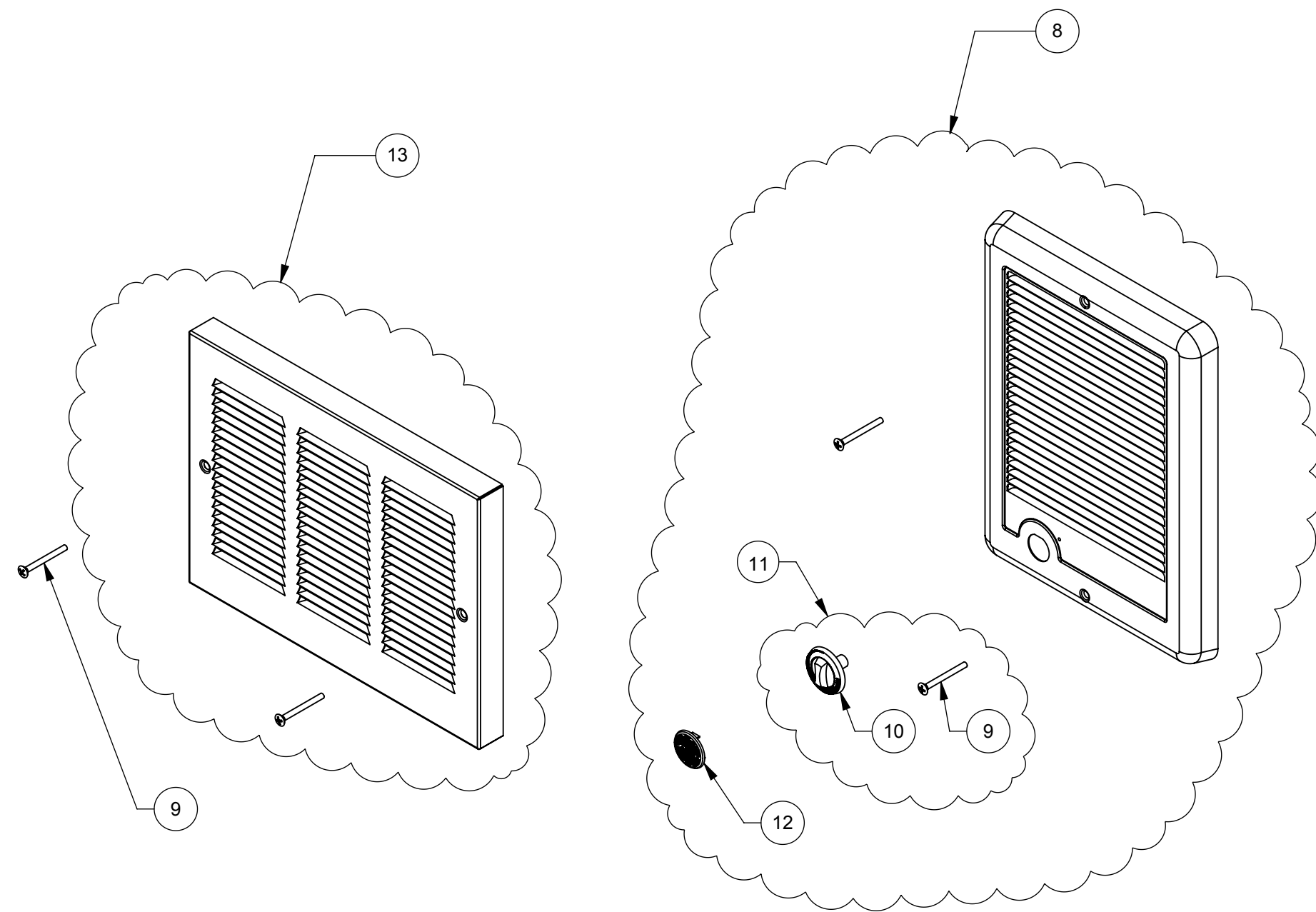
COM-PAK MAX CM PART & ASSEMBLY DETAIL VIEW

REVISIONS					
ECN #	REV.	DESCRIPTION	DATE	DRAWN BY:	APPROVED
2434	A	CREATE CD FOR EXPLODED DWG'S	10/7/2014	E.YANCHUK	G.RALSTIN

NOTES:

*100850 LIMIT KIT USED ON MODELS MFG PRIOR TO 08/01/2009 (NOT SHOWN)

**FOR NEW CM MODELS MFG AFTER 12/02/2013



THE DOCUMENT IS THE PROPERTY OF CADET MANUFACTURING COMPANY AND MAY CONTAIN PROPRIETARY INFORMATION. BY ACCEPTING THIS INFORMATION, THE BORROWER AGREES THAT IT WILL NOT BE USED FOR ANY PURPOSE OTHER THAN FOR WHICH IT IS LOANED. IT MAY NOT BE REPRODUCED IN ANY MANNER AND SHOULD BE DESTROYED AFTER SERVING ITS INTENDED FUNCTION.

CADET INVITING WARMTH
 PHONE 360.693.2505
 www.cadetheat.com

INTERPRET GEOMETRIC TOLERANCE PER: ASME Y14.5M		NAME	DATE	CADET MANUFACTURING COMPANY VANCOUVER, WA. U.S.A TEL. (360) 693-2505	
DIMENSIONS ARE IN INCHES DIMENSIONS IN [] ARE MM		DRAWN	E.Y.		10/07/2014
TOLERANCES UNLESS OTHERWISE SPECIFIED		CHECKED			
ANGULAR: ±1°		ENG APP.			
INCHES		MATERIAL		DESCRIPTION: CM PART & ASSEMBLY DETAIL VIEW	
.x ±.062 .xx ±.030 .xxx ±.015 .xxxx ±.008		FINISH			
MM		SCALE: 1:4		SIZE DWG. NO. 990005	
		DO NOT SCALE DRAWING		REV A	
		990005.slddrw		SHEET 1 OF 1	

I:\temp\public\Comm\q\Cadet Doc Sys Cml\900-9991