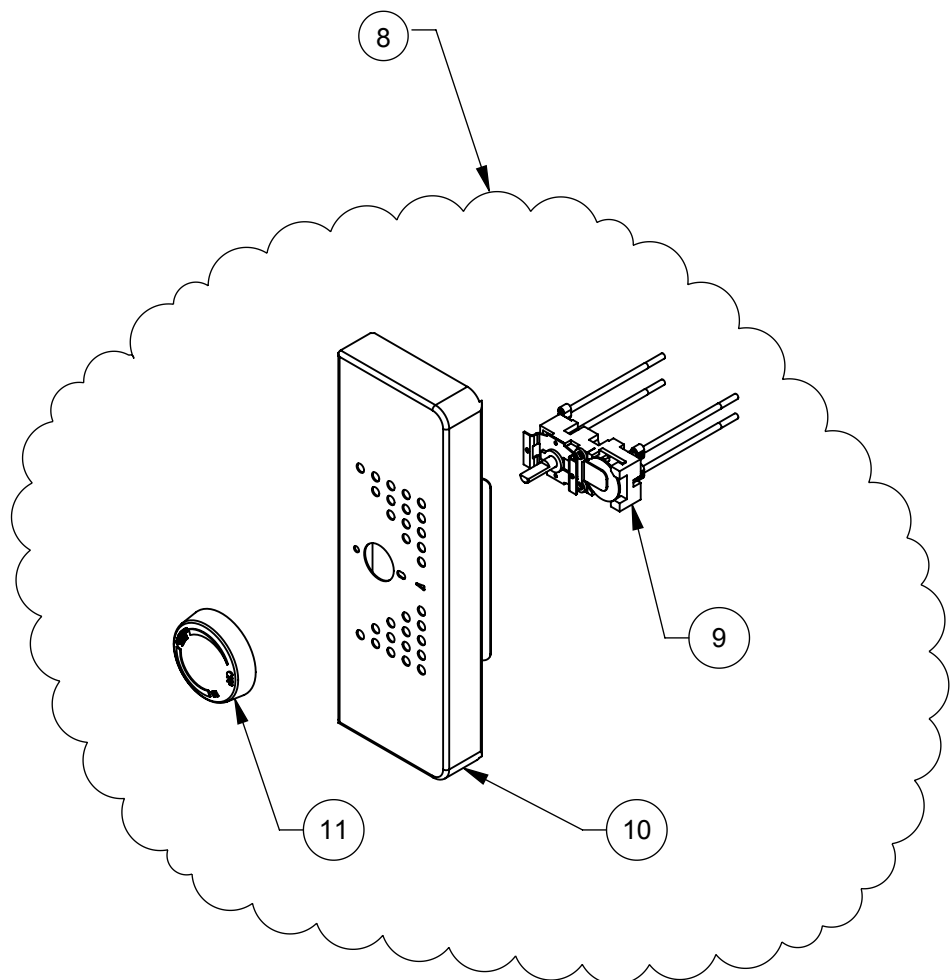
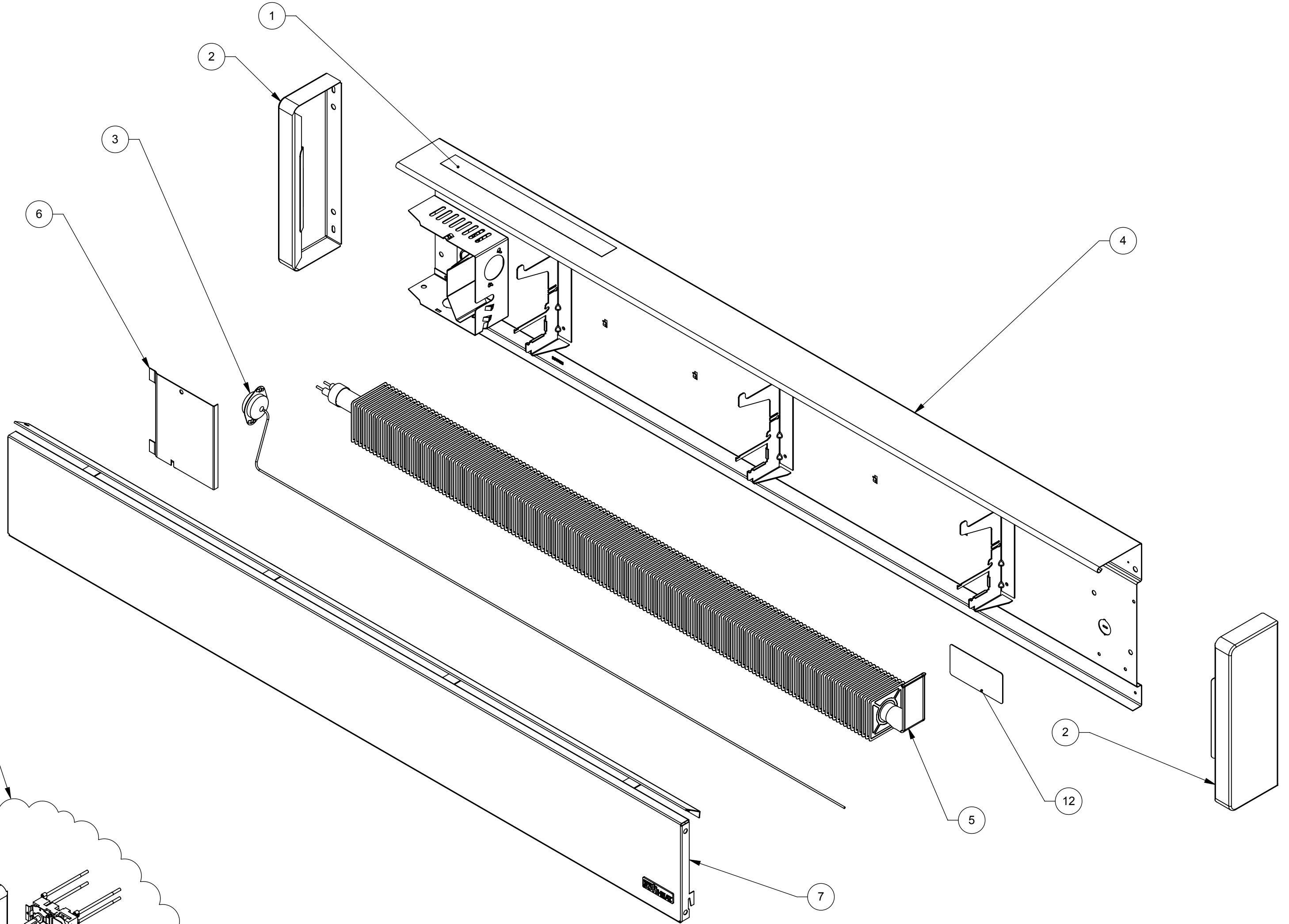


ITEM NO.	PART NUMBER	DESCRIPTION
1	070367	CAUTION LABEL, SOFHEAT
2	220001	CAP, END, EBHN, PAINTED
	485041	CAP, END, EBHN, WHITE SAND
3	050313	LMT, EBHN500, 210DEG
	050313	LMT, EBHN750, 210DEG
	050314	LMT, EBHN1000, 210DEG
	050315	LMT, EBHN1250, 210DEG
	050316	LMT, EBHN1500, 210DEG
4	220033	REAR PANEL ASSY DWG, LH WIRE
	---	REAR PANEL ASSY DWG, RH WIRE
5	433520	EBHN 240V ELEMENT ASSY
	433520	ELMT ASSY, EBHN 750W, 240V
	433530	ELMT ASSY, EBHN 1000W, 240V
	433540	ELMT ASSY, EBHN 1250W, 240V
	433550	ELMT ASSY, EBHN 1500W, 240V
	433518	ELMT ASSY, EBHN 500W, 208V
	433528	ELMT ASSY, EBHN 750W, 208V
	433538	ELMT ASSY, EBHN 1000W, 208V
	433548	ELMT ASSY, EBHN 1250W, 208V
	433558	ELMT ASSY, EBHN 1500W, 208V
6	484921	COVER, CIRCUIT BOX, PAINTED
	484931	CVR, CIRC BOX, EBHN WHITE
7	220020	FRT CVR ASSY, EBHN500 WHITE
	220021	FRT CVR ASSY, EBHN750 WHITE
	220022	FRT CVR ASSY, EBHN1000 WHITE
	220023	FRT CVR ASSY, EBHN1250 WHITE
	220024	FRT CVR ASSY, EBHN1500 WHITE
	484882	FRT CVR ASSY, EBHN500, WHITE SAND
	484883	FRT CVR ASSY, EBHN750, WHITE SAND
	484884	FRT CVR ASSY, EBHN1000, WHITE SAND
	484885	FRT CVR ASSY, EBHN1250, WHITE SAND
	484886	FRT CVR ASSY, EBHN1500, WHITE SAND
8	13170	EBKNW
	13132	EBKNWS
9	051340	STAT, 58T1D, DOUBLE POLE; EBHN
10	220000	STAT END CAP, EBKN WHITE
	370355	STAT END CAP, EBKN, WHITE SAND
11	040039	KNOB, BTF2, DP WHITE
12	---	LABEL, RATING, EBHN

## SOFHEAT EBHN PARTS & ASSEMBLY DETAIL VIEW

REVISIONS					
ECN #	REV.	DESCRIPTION	DATE	DRAWN BY:	APPROVED
2434	A	CREATE CD FOR EXPLODED DWG	10/20/2014	E.YANCHUK	G.RALSTIN



THE DOCUMENT IS THE PROPERTY OF CADET MANUFACTURING COMPANY AND MAY CONTAIN PROPRIETARY INFORMATION. BY ACCEPTING THIS INFORMATION, THE BORROWER AGREES THAT IT WILL NOT BE USED FOR ANY PURPOSE OTHER THAN FOR WHICH IT IS LOANED. IT MAY NOT BE REPRODUCED IN ANY MANNER AND SHOULD BE DESTROYED AFTER SERVING ITS INTENDED FUNCTION.

**CADET** PHONE 360.693.2505  
www.cadetheat.com

INVITING WARMTH

For verification of exact diagram for your heater, contact Cadet's Technical Department

INTERPRET GEOMETRIC TOLERANCE PER: ASME Y14.5M		NAME	DATE	<b>CADET MANUFACTURING COMPANY</b> VANCOUVER, WA. U.S.A TEL. (360) 693-2505
DIMENSIONS ARE IN INCHES DIMENSIONS IN [ ] ARE MM		DRAWN	E.Y. 10/20/2014	
TOLERANCES UNLESS OTHERWISE SPECIFIED		CHECKED		
ANGULAR: ±1°		ENG APP.		DESCRIPTION:
INCHES		MATERIAL		<b>EBHN PARTS &amp; ASSEMBLY DETAIL VIEW</b>
MM		FINISH		
.x ±.062	x ±1.5			SIZE DWG. NO.
.xx ±.030	.x ±.76			C 990013
.xxx ±.015	.xx ±.38			REV
.xxxx ±.008	.xxx ±.20			A
DO NOT SCALE DRAWING				SCALE: 1:4 990013.slddrw SHEET 1 OF 1

I:\temp\public\Compin\Cadet Doc Sys Cnt\1900-9991