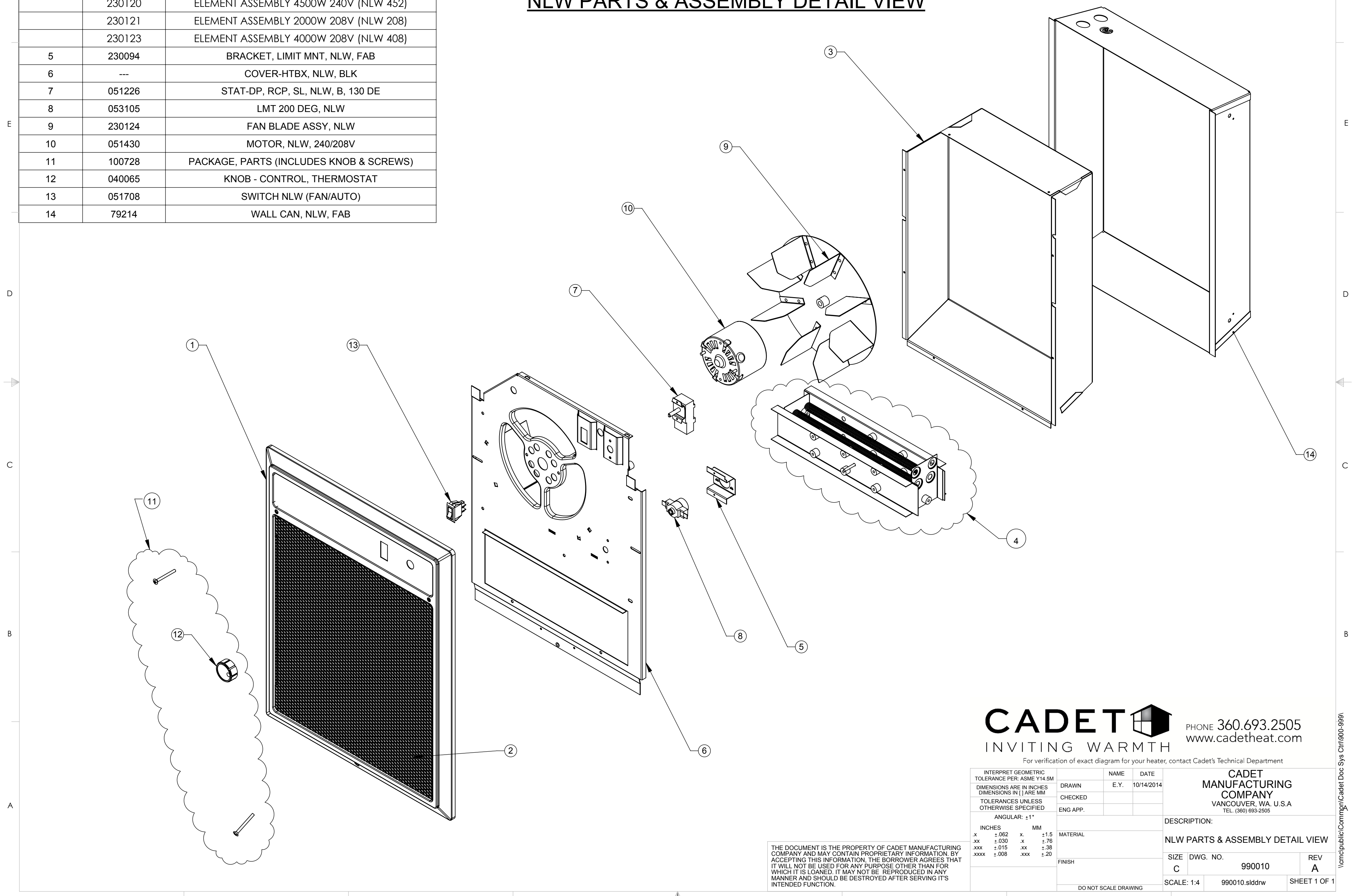


ITEM NO.	PART NUMBER	DESCRIPTION
1	230104	GRILL, NLW, WHITE
2	---	SCREEN, NLW, BLK
3	---	HEATBOX, NLW, BLK
4	230117	ELEMENT ASSEMBLY 2000W 240V (NLW 202)
	230118	ELEMENT ASSEMBLY 3000W 240V (NLW302)
	230119	ELEMENT ASSEMBLY 4000W 240V (NLW 308 & 402)
	230120	ELEMENT ASSEMBLY 4500W 240V (NLW 452)
	230121	ELEMENT ASSEMBLY 2000W 208V (NLW 208)
	230123	ELEMENT ASSEMBLY 4000W 208V (NLW 408)
5	230094	BRACKET, LIMIT MNT, NLW, FAB
6	---	COVER-HTBX, NLW, BLK
7	051226	STAT-DP, RCP, SL, NLW, B, 130 DE
8	053105	LMT 200 DEG, NLW
9	230124	FAN BLADE ASSY, NLW
10	051430	MOTOR, NLW, 240/208V
11	100728	PACKAGE, PARTS (INCLUDES KNOB & SCREWS)
12	040065	KNOB - CONTROL, THERMOSTAT
13	051708	SWITCH NLW (FAN/AUTO)
14	79214	WALL CAN, NLW, FAB

REVISIONS					
ECN #	REV.	DESCRIPTION	DATE	DRAWN BY:	APPROVED BY:
2434	A	CREATED NLW EXPLODED DWG	10/14/2014	E.YANCHUK	G.RALSTIN

NLW PARTS & ASSEMBLY DETAIL VIEW



CADET INVITING WARMTH
 PHONE 360.693.2505
 www.cadetheat.com

INTERPRET GEOMETRIC TOLERANCE PER: ASME Y14.5M	NAME	DATE	CADET MANUFACTURING COMPANY VANCOUVER, WA. U.S.A TEL. (360) 693-2505	
DIMENSIONS ARE IN INCHES DIMENSIONS IN [] ARE MM	DRAWN	E.Y.		10/14/2014
TOLERANCES UNLESS OTHERWISE SPECIFIED	CHECKED			
ANGULAR: ±1°	ENG APP.			
INCHES	MATERIAL		DESCRIPTION:	
.x ±.062			NLW PARTS & ASSEMBLY DETAIL VIEW	
.xx ±.030			SIZE DWG. NO.	
.xxx ±.015			C 990010	
.xxxx ±.008			REV	
			A	
			SCALE: 1:4	
			990010.slddrw	
			SHEET 1 OF 1	

THE DOCUMENT IS THE PROPERTY OF CADET MANUFACTURING COMPANY AND MAY CONTAIN PROPRIETARY INFORMATION. BY ACCEPTING THIS INFORMATION, THE BORROWER AGREES THAT IT WILL NOT BE USED FOR ANY PURPOSE OTHER THAN FOR WHICH IT IS LOANED. IT MAY NOT BE REPRODUCED IN ANY MANNER AND SHOULD BE DESTROYED AFTER SERVING ITS INTENDED FUNCTION.

\\nempublic\Compin\Cadent\Doc Sys Cnt\1900-9991