

NLW

Quiet warmth for large rooms and entryways



- Warm up in peace and quiet with a unique fan design that reduces air turbulence and noise
- Includes adjustable, built-in thermostat with positive "off" position
- Circulate air during the warmer months with the fan-only mode
- Rest easy—includes high-temperature safety shutoff feature
- No sharp edges
- Wall can required for new installation (sold separately)

The NLW heater is a proven and reliable choice for your medium and large rooms or entryways. A unique fan reduces air turbulence so it's quiet while warming your room. Use the fan-only mode during the warmer months to keep air circulating.

ARCHITECTURAL - ENGINEERING INFORMATION

Fan forced electric air heaters are UL Listed and factory rated at 208V or dual rated 208V/240V. Element is of nichrome type with an oversized 25 amp rated, at 240V, high temperature manual reset limit switch. Blower delivers 90 CFM and is driven by an impedance protected motor. The motor is totally isolated from the heating chamber. Metal screen has expanded sheet metal, 22 gauge construction and be finished in black. Grill frame has 22 gauge construction, mounted with 3 screws and finished with a powder coat paint system. A painted 22 gauge wall mounting can with 2 knockouts and 70 cubic inch wiring compartment is also available.

TECHNICAL INFORMATION

UL safety standards require the heater to be placed a minimum distance of 6 inches (15.2 cm) from adjacent surfaces and 4-1/2 inches (11.4 cm) from the floor. Cadet recommends a 12-inch clearance from all surfaces for longer and cleaner performance. A 3-foot (91.44 cm) minimum clearance is required for furniture or other objects placed directly in front of the heater.

Install vertically. This heater is not approved for horizontal or ceiling installation.

Electric wall heaters and thermostats work best when installed on an inside wall. We recommend installing the heater assembly after walls are finished. Heater must be cleaned every six months minimum.

CADET 
INVITING WARMTH

cadetheat.com
855.CADET.US
Vancouver, Washington



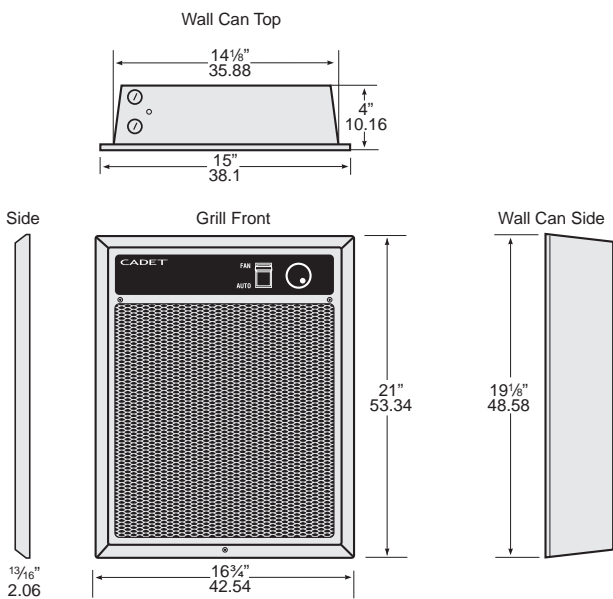
NLW

Grill: 16-3/4"W x 21"H x 1"D • Rough-in: 14-1/4"W x 19-1/4"H x 4"D

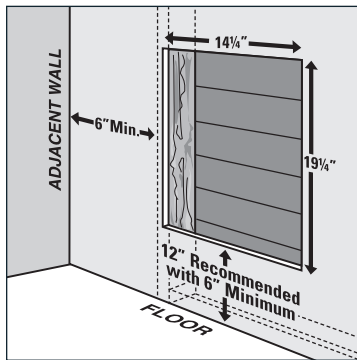
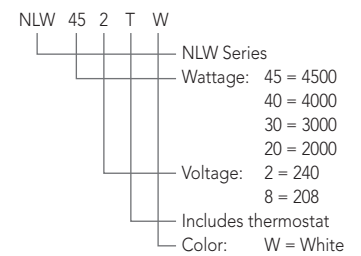
Thermostat temperature range 40°F to 85°F

Wall can required for new installation (sold separately)

PART	MODEL	DESCRIPTION	WATTS	VOLTS	AMPS	BTUS	WT/LBS
79208	NLW208TW	Heater assembly with thermostat and grill	2000	208	9.6	6825	16
79209	NLW308TW	"	3000	208	14.4	10240	16
79210	NLW408TW	"	4000	208	19.2	13650	16
79200	NLW202TW	"	2000/1500	240/208	8.3/7.2	6825/5120	16
79201	NLW302TW	"	3000/2250	240/208	12.5/10.8	10240/7680	16
79202	NLW402TW	"	4000/3000	240/208	16.7/14.4	13650/10240	16
79203	NLW452TW	"	4500/3375	240/208	18.8/16.2	15355/11515	16
79214	NLWC	Wall can for model NLW, single pack, standard recess mount					6.3
79215	NLWC-S	Wall can for model NLW, surface mount, 16-5/8" w x 20-5/8" h x 4" d, white					9.2



Model No. Code



ROUGH-IN: 14-1/4"W x 19-1/4"H x 4"D