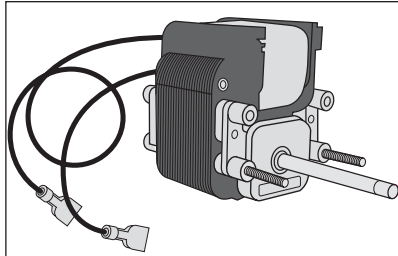


RCP Motor Kit Replacement Guide

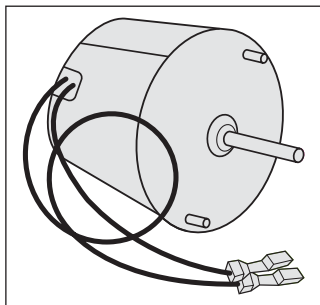
<http://cadetelectriceat.com/replacement-parts/RCP-parts>

TOOLS REQUIRED:

- Phillips Screwdriver
- Straight Screwdriver
- Needle Nose Pliers
- 1/4" and 11/32" Nut Drive or small Crescent Wrench
- Allen Wrench set



Motor Only Part #051424



Motor Only Part #051408

Motor Kit Part #410209
Includes new insulated sleeve and nuts, as well as motor part #051408.

RCP Models			
Volts	Model Numbers	Watts High/Low	Amps
240	RCP402S	4000/2667	16.7/11.1
	RCP502S	5000/3333	20.8/13.9

Part	Includes	Use On	Notes
051424	small motor only; may require periodic lubrication	All RCP402S or RCP502S models	Standard on all RCP402S models; also standard on RCP502S models manufactured from 3/08 to present.
051408	large motor only, enclosed, permanently sealed	All RCP502S or RCP402S models	Standard on all RCP502S models manufactured until 2/08; can also replace a #051424 motor on either model.
410209	051408 motor, new insulated sleeve and nuts	All RCP502S or RCP402S models	051408 motor standard on all RCP502S models manufactured until 2/08; can also replace a #051424 motor on either model.

This guide is intended for licensed electricians or qualified technicians

WARNING

When using electrical appliances, basic precautions should always be followed to reduce the risk of fire, electric shock, and injury to persons. If you are uncomfortable working with electrical appliances, unable to follow these guidelines, or do not have the necessary equipment; consult a licensed electrician. All steps must be followed.

Installation

NOTE: If you purchased the individual motor only part numbers 051424 or 051408, retain all your old parts for reuse, including nuts and insulated sleeves, until you are finished with your motor replacement. Now is the perfect opportunity to clean your heater. See your original product Owner's Guide or go to www.cadetheat.com and find detailed cleaning instructions under Specs and Downloads for the Hot One product page.

1. Disconnect power cord from power supply. If possible, keep heater attached to its stand.
2. Turn unit upside down so service door on bottom is accessible. Open the service door by removing single large screw on the side of door.
3. Identify the two motor lead wires coming from the motor through an insulated sleeve. One wire is connected to the terminal block. The other wire is connected to the On/Auto switch.
4. Disconnect motor lead wires at terminal block and On/Auto switch while noting exact placement for later reconnection.
5. Remove front diffuser grill by removing four screws. (Figures 1 and 2).
6. Remove the fan blade from motor by loosening set-screw with the correct Allen wrench. (Figure 3).



Figure 1

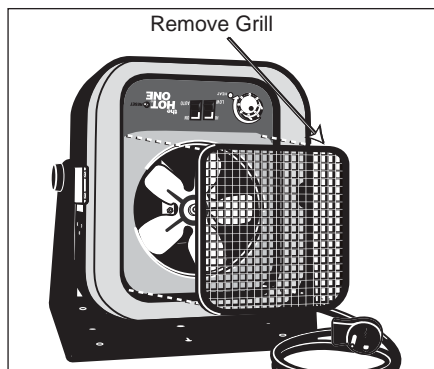


Figure 2

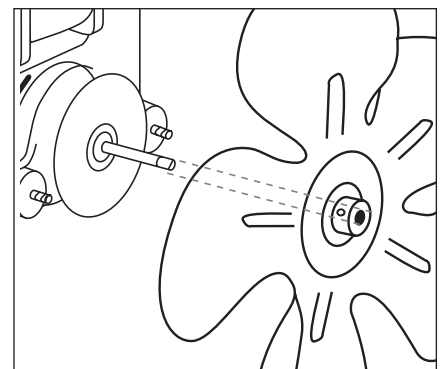


Figure 3

SAVE THESE INSTRUCTIONS

Installation Instructions (continued)

7. Remove motor from mounting bracket by taking out two screws (top) and two nuts (bottom). Some models may only have two nuts.

8. Feed the new motor wires through the insulated sleeve provided in the kit, or reuse existing sleeve.

9. Insert new motor with wires and insulated sleeve pointing up. Because heater is upside down, wires and insulated sleeve should point to the bottom of the heater (Figure 4). The studs will come through one of the two sets of the slotted outer holes, depending on the size of the motor. Be sure the studs are centered in the slotted holes and secure the new motor studs tightly with nuts provided (motor kit part #410209), or reuse old ones.

10. Feed the new motor lead wires back through the hole to the terminal block area.

11. Reattach fan blade by placing it on the motor shaft leaving approximately 1/16" at end of shaft (Figure 5). Securely tighten set-screw with Allen wrench at flat of motor shaft.

12. Manually turn fan to be sure it spins freely. If it's rubbing, the studs are not secured in the center of the slotted holes. Reposition, if necessary. (Refer to #9).

13. Reattach the motor wires to the terminal block and On/Auto switch. Be sure each connection is tight (Figure 6). Close service door and secure single large screw on side of door panel. Return the heater to its initial position.

14. Reattach diffuser grill with seam facing downward. Installation is easier by loosely setting all 4 screws or nuts, then tightening.

15. Plug in unit and turn on. Test heater operation.

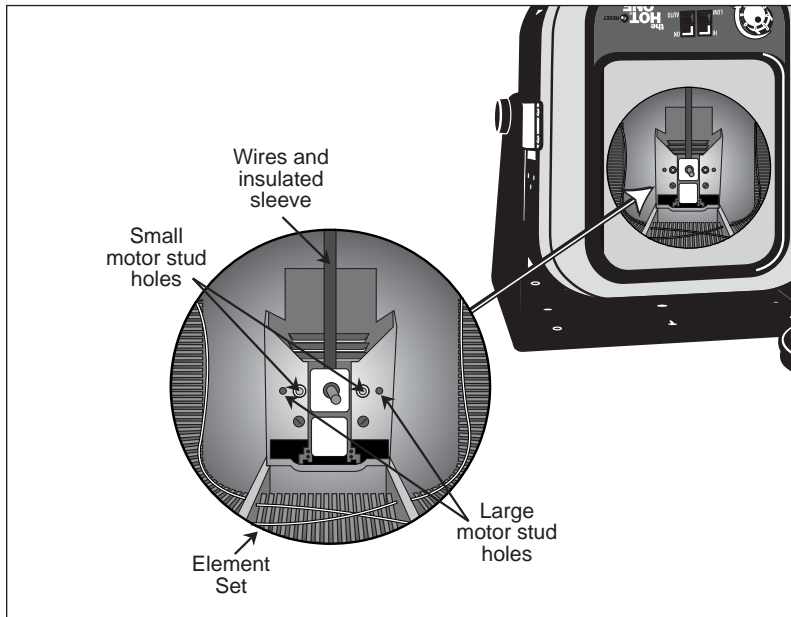


Figure 4

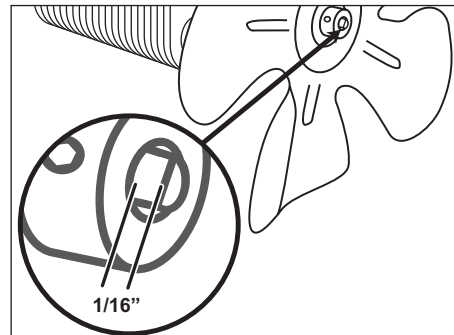


Figure 5

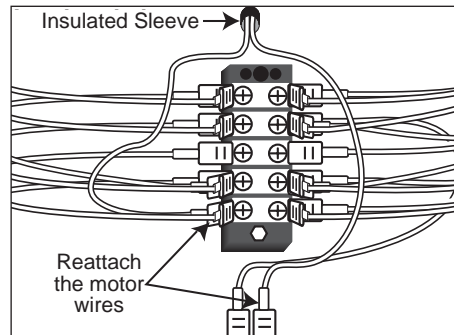


Figure 6

Warranty

For more effective and safer operation and to prolong the life of the heater, read the Owner's Guide and follow the instructions. Failure to properly maintain the heater will void any warranty and may cause the heater to function improperly.

LIMITED 90-DAY WARRANTY: Cadet will repair or replace any part found to be defective within 90 days after the date of purchase.

These warranties do not apply:

1. Damage occurs to the product through improper installation or incorrect supply voltage;
2. Damage occurs to the product through improper maintenance, misuse, abuse, accident, or alteration;
3. The use of unauthorized accessories or unauthorized components constitutes an alteration and voids all warranties. Refer to Cadet website or call customer service at 855.CADET.US for list of authorized accessories and components.
4. CADET'S WARRANTY IS LIMITED TO REPAIR OR REPLACEMENT.

5. IN THE EVENT CADET ELECTS TO REPLACE ANY PART OF YOUR CADET PRODUCT, THE REPLACEMENT PARTS ARE SUBJECT TO THE SAME WARRANTIES AS THE PRODUCT. THE INSTALLATION OF REPLACEMENT PARTS DOES NOT MODIFY OR EXTEND THE UNDERLYING WARRANTIES. REPLACEMENT OR REPAIR OF ANY CADET PRODUCT OR PART DOES NOT CREATE ANY NEW WARRANTIES.

If you believe your Cadet product is defective, please contact Cadet during the warranty period, for instructions on how to have the repair or replacement processed.

Parts and Service

Visit cadetheat.com/parts-service for information on where to obtain parts and service.



Reduce-Reuse-Recycle

This product is made primarily of recyclable materials. You can reduce your carbon footprint by recycling this product at the end of its useful life. Contact your local recycling support center for further recycling instructions.

SAVE THESE INSTRUCTIONS