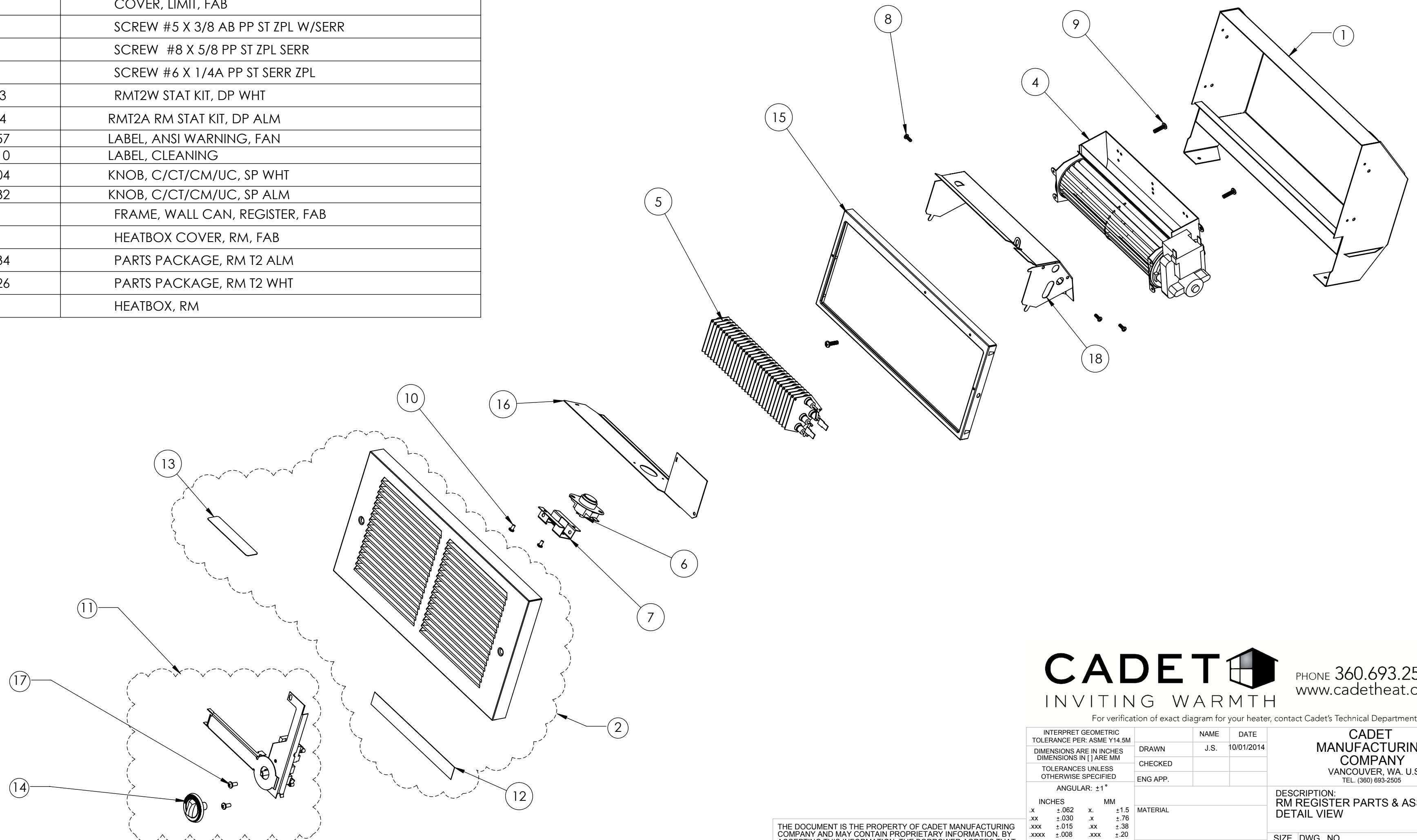


ITEM NO.	PART NUMBER	DESCRIPTION
1	63115	RMC WALL CAN
2	00275	RMGA RM GRILL KIT W/PARTS, WHT
	00276	RMGA RM GRILL KIT W/PARTS, ALM
3	120702	PART PACKAGE, SCREWS (2) ALMOND
	120704	PART PACKAGE, SCREWS (2) WHITE
4	050713	BLWR/MTR, RM151, 500-1000-1500W 120V
	050711	MOTOR/BLOWER 208V (RM 108/RM 208)
	050712	MOTOR/BLOWER 240V (RM 102/RM 162)
	050710	MOTOR/BLOWER 240V(RM158/RM168/RM202/RM222)
5	053936	ELMT, RM151, 500-1000-1500W 120V
	053935	ELMT, RM162 (700-900-1600W 240)
	053953	ELMT, RM168/RM222 (2250W 240V)
	053934	ELMT, RM102/RM158/RM202 (2000W 240V)
	053937	ELMT, RM 108/RM 208 (2000W 208V)
6	053113	LIMIT RESET, RM, UC, 60T15 208F
7	---	COVER, LIMIT, FAB
8	---	SCREW #5 X 3/8 AB PP ST ZPL W/SERR
9	---	SCREW #8 X 5/8 PP ST ZPL SERR
10	---	SCREW #6 X 1/4A PP ST SERR ZPL
11	63123	RMT2W STAT KIT, DP WHT
	63124	RMT2A RM STAT KIT, DP ALM
12	070357	LABEL, ANSI WARNING, FAN
13	070310	LABEL, CLEANING
14	040004	KNOB, C/CT/CM/UC, SP WHT
	040032	KNOB, C/CT/CM/UC, SP ALM
15	---	FRAME, WALL CAN, REGISTER, FAB
16	---	HEATBOX COVER, RM, FAB
17	100734	PARTS PACKAGE, RM T2 ALM
	100726	PARTS PACKAGE, RM T2 WHT
18	---	HEATBOX, RM

REVISIONS					
ECN #	REV.	DESCRIPTION	DATE	DRAWN BY	APPROVED
2429	A	CREATED CD FOR EXPLODED DWG	10/02/2014	J. SEGURA	G. RALSTIN

RM REGISTER PARTS & ASSEMBLY DETAIL VIEW MANUFACTURED AFTER 08/01/2009



CADET **INVITING WARMTH**
 PHONE 360.693.2505
 www.cadetheat.com

For verification of exact diagram for your heater, contact Cadet's Technical Department

INTERPRET GEOMETRIC TOLERANCE PER: ASME Y14.5M	NAME	DATE	CADET MANUFACTURING COMPANY VANCOUVER, WA. U.S.A TEL. (360) 693-2505
DIMENSIONS ARE IN INCHES DIMENSIONS IN [] ARE MM	DRAWN	J.S. 10/01/2014	
TOLERANCES UNLESS OTHERWISE SPECIFIED	CHECKED		
ANGULAR: ±1°	ENG APP.		DESCRIPTION: RM REGISTER PARTS & ASSEMBLY DETAIL VIEW
INCHES	MATERIAL		SIZE DWG. NO. 990004
.x ±.062			REV A
.xx ±.030			SCALE: 1:4
.xxx ±.015			990004.slddrw
.xxxx ±.008	FINISH		SHEET 1 OF 1
			DO NOT SCALE DRAWING

THE DOCUMENT IS THE PROPERTY OF CADET MANUFACTURING COMPANY AND MAY CONTAIN PROPRIETARY INFORMATION. BY ACCEPTING THIS INFORMATION, THE BORROWER AGREES THAT IT WILL NOT BE USED FOR ANY PURPOSE OTHER THAN FOR WHICH IT IS LOANED. IT MAY NOT BE REPRODUCED IN ANY MANNER AND SHOULD BE DESTROYED AFTER SERVING ITS INTENDED FUNCTION.

I:\temp\public\Comm\p\Cadet Doc Sys Cml\900-9991