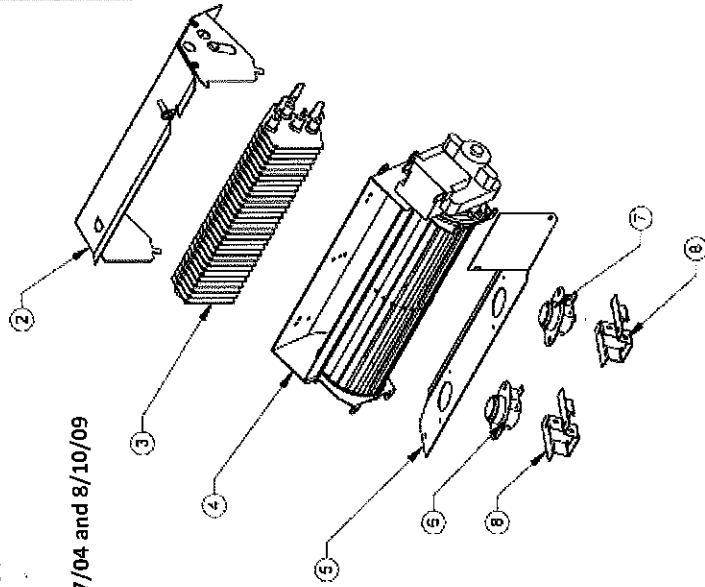
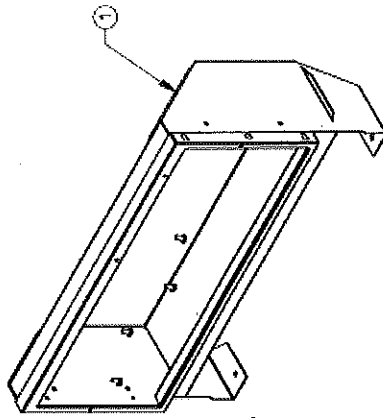


THE REGISTER PLUS
RM Series

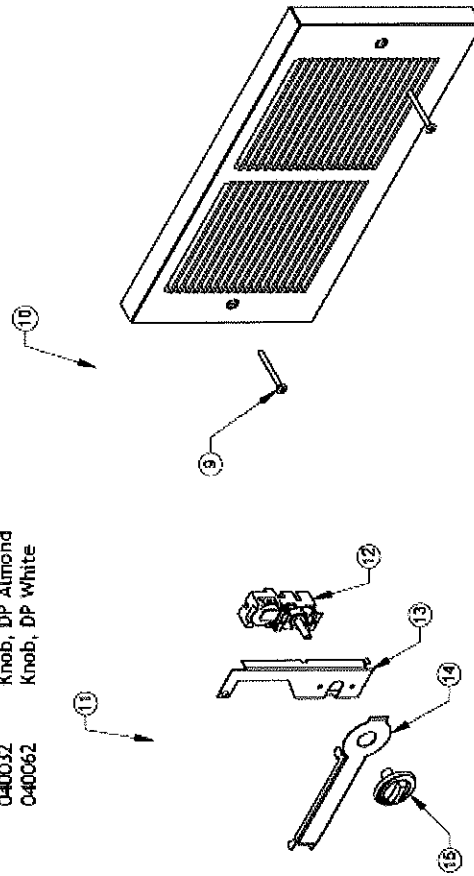
EARLY DESIGNS

Item #	Part #	Description
1	63115	Wall Can
2	N/A	Housing, Rear
3	053936	Element, RM1511500/1000/1500W 120V)
	053935	Element, RM162 (700-900-1600W 240V)
	053934	Element, RM 202 (2000W 240V)
	053937	Element, RM 208 (2000W 208V)
4	050713	Motor/Blower 120V (RM 151)
	050711	Motor/Blower 208V (RM 208)
	050712	Motor/Blower 240V (RM 162)
	050710	Motor/Blower 240V (RM 202)
5	N/A	Housing, Front
6	↑	One-shot, Limit Kit (inc. 2 rivets/2 screws)
7	↑	Limit, Manual
8	120109	Cover, Limit
9	120702	Parts Package, Screws (2) Almond
	120704	Parts Package, Screws (2) White
10	00275	Grill, White w/Screws
	00276	Grill, Almond w/Screws
11	63123	Kit, In-built Thermostat Wht. (RM12W)
	63124	Kit, In-built Thermostat Alm. (RM12A)
12	051226	Thermostat Only DP
13	120115	Bracket, Thermostat
14	120120	Face Plate, Thermostat Almond
	120116	Face Plate, Thermostat White
15	040032	Knob, DP Almond
	040062	Knob, DP White

Manufactured prior to 9/7/04
 6 Part 120750
 7 Part 053110
 Manufactured between 9/7/04 and 8/10/09
 6 Part 100750
 7 Part 053113



This diagram and parts list is for Register *early designs* (One shot and manual reset both required). Items 6 and 7 are determined by date of manufacture.



CADET
INVITING WARMTH

PHONE 360.693.2505
WWW.cadetheat.com

For verification of exact diagram for your heater, contact Cadet's Technical Department