

Architectural Convection Heater

Heavy duty design and maintenance free construction combined with a high BTU output for quiet convection operation.



Features

- Advanced architectural styling with an unobtrusive profile that measures 12"H x 5-3/4"W
- Full length thermal protection
- Floating element suspension eliminates expansion noise
- Non-corrosive, stainless steel tubular element with aluminum fins
- Built-in wireway for continuous installation
- Choice of air intake on front or bottom

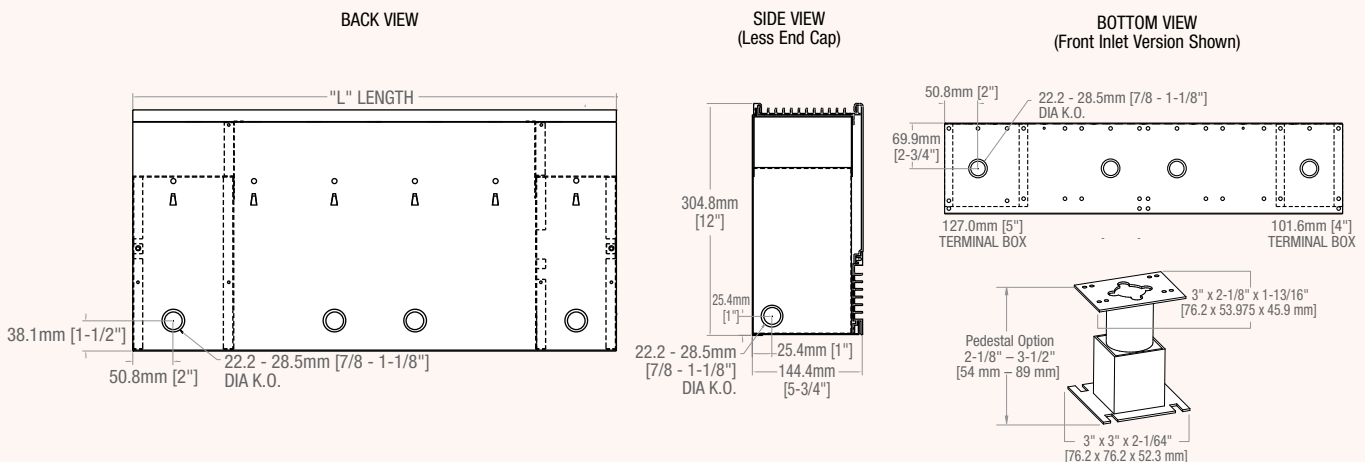
Applications

Commercial | Institutional | Classrooms | Meeting Rooms
| Auditoriums | Churches | Hospitals

Specifications

Voltage	- 208V, 240V, 277V, 347V, 480V, 600V - 1 and 3 phase
Wattage	- Sizes ranging from 900W to 6000W
Color	- Standard: White, Almond or Black - Optional: Bronze, Silver, Charcoal, Metallic Charcoal or Metallic Silver
Finish	- Painted finish is hybrid polyester epoxy powder coat process - Silver and Bronze are anodized aluminum finishes
Construction	- Front and top are constructed of extruded aluminum equivalent in strength to 14 gauge steel, with punched air intake and exhaust vents - Cabinet back and bottom are fabricated from satin coat steel with multiple knockouts for convenient power connection - Endcaps are field removable for continuous heater installation - Full length wire way for convenient wiring
Heating Element	- Stainless steel sheath encloses a nickel chromium element compacted in a mineral insulation - Aluminum fins are brazed to the surface and provide superior heat transfer
Watt Density	- 750W, 562W, 450W
Controls & Installation	- Built-in tamperproof thermostat, or adjustable thermostat controls may be mounted in either the left or right hand terminal box - Built-in low voltage controls, if specified, are located in the right hand terminal box - Built-in disconnect switches, if specified, are located in the right hand terminal box - Power connection can be made at either end of the heater
Warranty	- 10-year element warranty - 1-year warranty on complete unit

Dimensions



Product Order Logic:

Order logic example →

Catalog Number				Options			
AF12	F	2	15	21	02	A9	S
Series	Inlet F=Front B=Bottom	Length (ft)	Watts	Voltage Selection	Finish Selection	Control Options	Cabinet Features

Ordering Guide

Cat. No.	Watts	BTU	Available Voltages		Length (mm/in.)	Weight (kg/lbs.)
			1 Phase	3 Phase		

Standard Average Watt Density – 750W/ft

AF12F215	1500	5118	208, 240, 347, 600	208, 600	617 / 24-5/16	10.5 / 23
AF12F430	3000	10236	208, 240, 277, 347, 600	208, 480, 600	1227 / 48-5/16	16.0 / 35
AF12F637	3750	12795	208, 240, 277, 347, 480, 600	208, 480, 600	1836 / 72-5/16	21.6 / 48
AF12F645	4500	15354	208, 240, 277, 347, 600	208, 480, 600	1836 / 72-5/16	21.6 / 48
AF12F852	5250	17913	208, 240, 277, 347, 480, 600	208, 480, 600	2446 / 96-5/16	27.0 / 60
AF12F860	6000	20472	208, 240, 277, 347, 600	208, 480, 600	2446 / 96-5/16	27.0 / 60

Average Watt Density – 562W/ft

AF12F211	1125	3838	208, 347, 600	208	617 / 24-5/16	10.5 / 23
AF12F316	1687	5756	208, 347, 600	208, 480, 600	922 / 36-5/16	13.3 / 29
AF12F422	2250	7677	208, 240, 277, 347, 600	208, 480, 600	1227 / 48-5/16	16.0 / 35
AF12F633	3375	11515	208, 240, 277, 347, 600	208, 480, 600	1836 / 72-5/16	21.6 / 48
AF12F845	4500	15354	208, 240, 277, 347, 600	208, 480, 600	2446 / 96-5/16	27.0 / 60

Low Average Density – 450W/ft

AF12F209	900	3071	208, 240, 277, 347, 480, 600	208	617 / 24-5/16	10.5 / 25
AF12F313	1350	4606	208, 240, 277, 347, 480, 600	208	921 / 36-5/16	15.0 / 33
AF12F418	1800	6142	208, 240, 277, 347, 480, 600	208	1227 / 48-5/16	16.0 / 35
AF12F522	2250	7677	208, 240, 277, 347, 480, 600	208, 480, 600	1530 / 60-5/15	18.1 / 40
AF12F627	2700	9212	208, 240, 277, 347, 480, 600	208, 480, 600	1836 / 72-5/16	21.6 / 48
AF12F731	3150	10748	208, 240, 277, 347, 480, 600	208, 480, 600	2140 / 84-5/16	24.5 / 54
AF12F836	3600	12283	208, 240, 277, 347, 480, 600	208, 480, 600	2446 / 96-5/16	27.0 / 60

1. Specify desired voltage, finish and control option from tables

2. For bottom inlet version replace "F" in Cat. No. with "B"

3. Endcaps are included with heaters

4. Consult factory for custom finish requirements

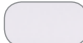
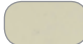
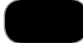
Control Options (factory installed)

Cat. No.	Description
A3	Built-in SP tamperproof hydraulic thermostat for 3 phase 208 - 600V
A4	Built-in 24V low voltage relay for 1 phase 208 - 600V
A5	Built-in 24V low voltage relay and transformer for 1 phase 208 - 600V
A6	Built-in 24V contactor less transformer for 3 phase 208 - 600V
A7	Built-in 24V contactor and transformer for 3 phase 208 - 600V
A8	Built-in disconnect switch, rated 600V/50A
A9	Built-in DP tamperproof hydraulic thermostat 208 - 600V
B3	Built-in SP tamperproof thermostat and disconnect
B9	Built-in DP tamperproof thermostat and disconnect
G1	TRIAC Relay, 347V Max
G2	TRIAC Relay, 600V Max
G3	TRIAC Relay with transformer, 15A, 240-347V
G4	TRIAC Relay with transformer, 15A, 208-240V

Voltage Selection

Code	Voltage	Phase
21	208	1
23	208	3
31	240	1
41	277	1
51	347	1
71	480	1
73	480	3
81	600	1
83	600	3

Finish Selection

Code	Color	Finish
02	 White	Painted
68	 Almond	Painted
03	 Black	Painted

Optional colors

07	 Bronze	Painted - Steel Anodized - Aluminum
10	 Silver	Painted - Steel Anodized - Aluminum
Z1	 Charcoal	Painted
Z2	 Metallic Charcoal	Painted
Z3	 Metallic Silver	Painted

Cabinet Features

Code	Description
W	Pedestal and finished painted back
S	Finished painted back

Note: Add "S" or "W" to the end of the Cat. No.

Accessories* (field installed)

Cat. No.	Description
ALF12IC90	Inside 90 degree corner
ALF12OC90	Outside 90 degree corner
Filler Sections	Consult factory for available sizes

* Note: Specify "Finish Selection" code (see chart above) when ordering accessories.

Pedestal Options*

Cat. No.	Description
ALPKM2	Pedestal kit for units up to 4' length (2 pedestals included)
ALPKM3	Pedestal kit for units above 4' length (3 pedestals included)

* Note: Specify "Finish Selection" code (see chart above) when ordering accessories.