

# Architectural Slope Top Heater

Heavy duty slope top design and higher heat output are ideal for larger public areas.



## Features

- Advanced architectural slope top design prevents blockage
- Profile measures 12"H x 5-3/4"W for an unobtrusive appearance
- Full length thermal protection
- Floating element suspension eliminates expansion noise
- Non-corrosive, stainless steel tubular element with aluminum fins
- Built-in wireway for continuous installation
- Choice of air intake on front or bottom

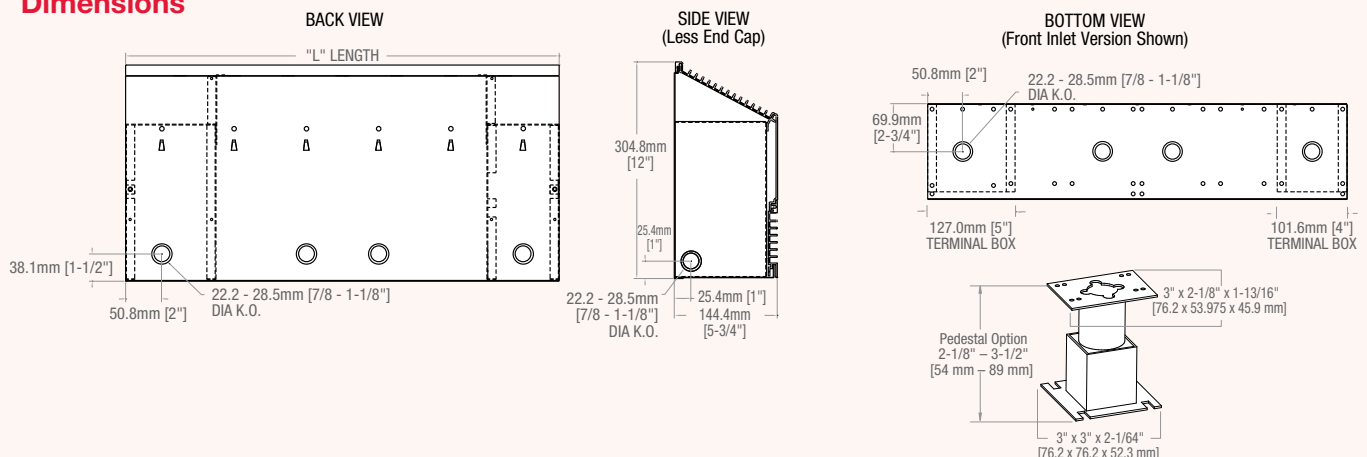
## Applications

Commercial | Institutional | Schools | Public Offices | Banks and Sports Facilities

## Specifications

<b>Voltage</b>	- 208V, 240V, 277V, 347V, 480V, 600V - 1 and 3 phase
<b>Wattage</b>	- Sizes ranging from 900W to 6000W
<b>Color</b>	- Standard: White, Almond or Black - Optional: Bronze, Silver, Charcoal, Metallic Charcoal or Metallic Silver
<b>Finish</b>	- Painted finish is hybrid polyester epoxy powder coat process - Silver and Bronze are anodized aluminum finishes
<b>Construction</b>	- Front and top are constructed of extruded aluminum equivalent in strength to 14 gauge steel, with punched air intake and exhaust vents - Cabinet back and bottom are fabricated from satin coat steel with multiple knockouts for convenient power connection - Endcaps are field removable for continuous heater installation - Full length wire way for convenient wiring
<b>Heating Element</b>	- Stainless steel sheath encloses a nickel chromium element compacted in a mineral insulation - Aluminum fins are brazed to the surface and provide superior heat transfer
<b>Watt Density</b>	- 750W, 562W, 450W
<b>Controls &amp; Installation</b>	- Built-in tamperproof thermostat, or adjustable thermostat controls may be mounted in either the left or right hand terminal box - Built-in low voltage controls, if specified, are located in the right hand terminal box - Built-in disconnect switches, if specified, are located in the right hand terminal box - Power connection can be made at either end of the heater
<b>Warranty</b>	- 10-year element warranty - 1-year warranty on complete unit

## Dimensions



## Product Order Logic:

Order logic example →

Catalog Number				Options			
<b>AS12</b>	<b>F</b>	<b>2</b>	<b>15</b>	<b>21</b>	<b>02</b>	<b>A9</b>	<b>S</b>
Series	Inlet F=Front B=Bottom	Length (ft)	Watts	Voltage Selection	Finish Selection	Control Options	Cabinet Features

## Ordering Guide

Cat. No.	Watts	BTU	Available Voltages		Length (mm/in.)	Weight (kg/lbs.)
			1 Phase	3 Phase		
<b>Standard Average Watt Density – 750W/ft</b>						
AS12F215	1500	5118	208, 240, 347, 600	208, 600	617 / 24-5/16	10.5 / 23
AS12F430	3000	10236	208, 240, 277, 347, 600	208, 480, 600	1227 / 48-5/16	16.0 / 35
AS12F637	3750	12795	208, 240, 277, 347, 480, 600	208, 480, 600	1836 / 72-5/16	21.6 / 48
AS12F645	4500	15354	208, 240, 277, 347, 600	208, 480, 600	1836 / 72-5/16	21.6 / 48
AS12F852	5250	17913	208, 240, 277, 347, 480, 600	208, 480, 600	2446 / 96-5/16	27.0 / 60
AS12F860	6000	20472	208, 240, 277, 347, 600	208, 480, 600	2446 / 96-5/16	27.0 / 60

## Average Watt Density – 562W/ft

AS12F211	1125	3838	208, 347, 600	208	617 / 24-5/16	10.5 / 23
AS12F316	1687	5756	208, 347, 600	208, 480, 600	922 / 36-1/16	13.3 / 29
AS12F422	2250	7677	208, 240, 277, 347, 600	208, 480, 600	1227 / 48-5/16	16.0 / 35
AS12F633	3375	11515	208, 240, 277, 347, 600	208, 480, 600	1836 / 72-5/16	21.6 / 48
AS12F845	4500	15354	208, 240, 277, 347, 600	208, 480, 600	2446 / 96-5/16	27.0 / 60

## Low Average Density – 450W/ft

AS12F209	900	3071	208, 240, 277, 347, 480, 600	208	617 / 24-5/16	10.5 / 25
AS12F313	1350	4606	208, 240, 277, 347, 480, 600	208	921 / 36-5/16	14.5 / 32
AS12F418	1800	6142	208, 240, 277, 347, 480, 600	208	1227 / 48-5/16	16.0 / 35
AS12F522	2250	7677	208, 240, 277, 347, 480, 600	208, 480, 600	1530 / 60-5/15	19.1 / 42
AS12F627	2700	9212	208, 240, 277, 347, 480, 600	208, 480, 600	1836 / 72-5/16	21.6 / 48
AS12F731	3150	10748	208, 240, 277, 347, 480, 600	208, 480, 600	2140 / 84-5/16	26.3 / 58
AS12F836	3600	12283	208, 240, 277, 347, 480, 600	208, 480, 600	2446 / 96-5/16	27.0 / 60

1. Specify desired voltage, finish and control option from tables  
2. For bottom inlet version replace "F" in Cat. No. with "B"

3. Endcaps are included with heaters  
4. Consult factory for custom finish requirements

## Control Options (factory installed)

Cat. No.	Description
A3	Built-in SP tamperproof hydraulic thermostat for 3 phase 208 - 600V
A4	Built-in 24V low voltage relay for 1 phase 208 - 600V
A5	Built-in 24V low voltage relay and transformer for 1 phase 208 - 600V
A6	Built-in 24V contactor less transformer for 3 phase 208 - 600V
A7	Built-in 24V contactor and transformer for 3 phase 208 - 600V
A8	Built-in disconnect switch, rated 600V/50A
A9	Built-in DP tamperproof hydraulic thermostat 208 - 600V
B3	Built-in SP tamperproof thermostat and disconnect
B9	Built-in DP tamperproof thermostat and disconnect
G1	TRIAC Relay, 347V Max
G2	TRIAC Relay, 600V Max
G3	TRIAC Relay with transformer, 15A, 240-347V
G4	TRIAC Relay with transformer, 15A, 208-240V

## Voltage Selection

Code	Voltage	Phase
21	208	1
23	208	3
31	240	1
41	277	1
51	347	1
71	480	1
73	480	3
81	600	1
83	600	3

## Finish Selection

Code	Color	Finish
02		White Painted
68		Almond Painted
03		Black Painted

### Optional colors

07		Bronze	Painted - Steel Anodized - Aluminum
10		Silver	Painted - Steel Anodized - Aluminum
Z1		Charcoal	Painted
Z2		Metallic Charcoal	Painted
Z3		Metallic Silver	Painted

## Cabinet Features

Code	Description
W	Pedestal and finished painted back
S	Finished painted back

Note: Add "S" or "W" to the end of the Cat. No.

## Accessories\* (field installed)

Cat. No.	Description
ALS12IC90	Inside 90 degree corner
ALS12OC90	Outside 90 degree corner
Filler Sections	Consult factory for available sizes

\* Note: Specify "Finish Selection" code (see chart above) when ordering accessories.

## Pedestal Options\*

Cat. No.	Description
ALPKM2	Pedestal kit for units up to 4' length (2 pedestals included)
ALPKM3	Pedestal kit for units above 4' length (3 pedestals included)

\* Note: Specify "Finish Selection" code (see chart above) when ordering accessories.