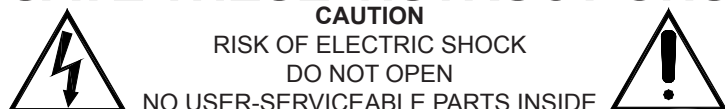


⚠ IMPORTANT INSTRUCTIONS

When using electrical appliances, basic precautions should always be followed to reduce the risk of fire, electric shock and injury to person, including the following:

1. Read all instructions before using this appliance.
2. The heater is hot when in use. To avoid burns, do not let bare skin touch hot surfaces. The trim around the heater outlet becomes hot during heater operation. Keep combustible materials, such as furniture, pillows, bedding, papers, clothes, and curtains at least 3 feet (0.9m) from the front of the unit.
3. Extreme caution is necessary when any heater is used by or near children or invalids and whenever the unit is left operating and unattended.
4. Always unplug the heater when not in use.
5. Do not operate any unit with a damaged cord or plug, or if the heater has malfunctioned, or if the heater has been dropped or damaged in any manner have the heater inspected by a reputable electrician before reusing.
6. Do not use outdoors.
7. The heater is not intended for use in bathrooms, laundry areas and similar indoor locations. Never locate heater where it may fall into a bathtub or other water container.
8. Do not run the cord under carpeting. Do not cover cord with throw rugs, runners or the like. Arrange cord away from traffic area and where it will not be tripped over.
9. To disconnect the unit, turn the controls off, then remove the plug from the outlet.
10. Connect to properly grounded outlets only.
11. Do not insert or allow foreign objects to enter any ventilation or exhaust opening as this may cause an electric shock or fire, or damage to the heater.
12. To prevent a possible fire, do not block air intake or exhaust in any manner.
13. All electrical heaters have hot and arcing or sparking parts inside. Do not use in areas where gasoline, paint, or flammable liquids are used or stored.
14. Do not modify the heater. Use it only as described in this manual. Any other use not recommended by the manufacturer may cause fire, electric shock or injury to persons.
15. Always plug heaters directly into a wall outlet/receptacle. Never use with an extension cord or relocatable power tap (outlet/power strip).
16. This heater includes a visual alarm (red light) to warn that parts of the heater are overheating. If the red light turns on, immediately turn heater off and inspect for any objects on or adjacent to the heater that may cause high temperatures. **DO NOT OPERATE WHEN RED LIGHT IS ON.**
17. Always use a certified electrician should new circuits or outlets be required.
18. Disconnect power supply before performing any cleaning, maintenance or relocation of the unit.
19. When transporting or storing the unit and cord, keep in a dry place, free from excessive vibration and store so as to avoid damage.

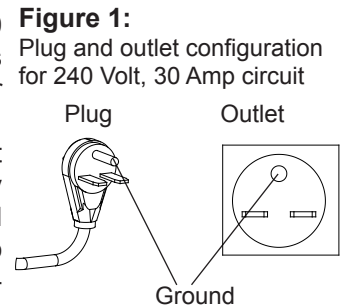
SAVE THESE INSTRUCTIONS



⚡ Installation Instructions

GROUNDING INSTRUCTIONS

This heater is for use on 240 Volts. The cord has a plug as shown on Figure 1. No adapter should be used with this unit. The type outlet is a 240 Volt grounding outlet. When properly installed, it provides a ground connection through the cord to the heater to protect the operator from electric shock.

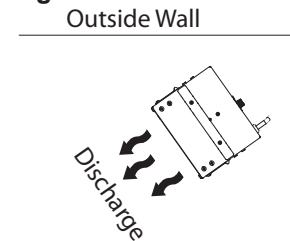


⚠ WARNING: To reduce the risk of fire, do not store or use gasoline or other flammable vapors or liquids in the vicinity of the heater.

⚠ CAUTION: High temperature, risk of fire, keep electrical cords, drapery, furnishings, and other combustibles at least 3 feet (0.9 m) from the front of the heater.

Heater Location And Clearances

Figure 2



The heater is intended for horizontal use on a hard floor, table top, desk or on shelf, and the like.

The discharge air should wipe the walls without blowing directly on them (Figure 2).

Ensure the air discharge is parallel to or away from walls.

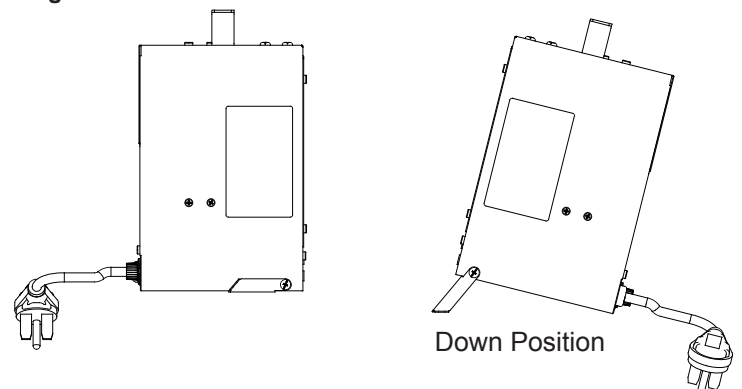
! NOTE: To prevent personal injury always use a licensed electrician to install new outlets or circuits.

⚠ CAUTION: When turning and/or tilting the heater do not block the exhaust opening.

Use Of Support Stand (EMC4240 only)

The pre-installed support stand can be swivelled out to allow an upward angle for the air discharge. When in down position, the heater should be placed on a flat surface such that it will be stable and not fall over (Figure 3).

Figure 3



Operation

WARNING: This heater must be properly installed before it is used.

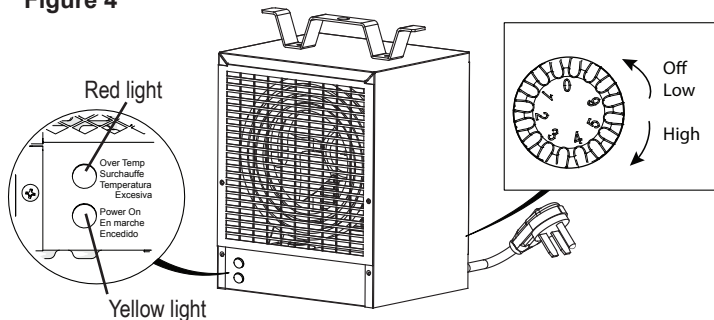
SETTING THE THERMOSTAT

1. Before connecting or disconnecting plug, turn knob fully counterclockwise.
2. Heater is equipped with a thermostat. To adjust temperature to your individual requirements, turn thermostat control knob clockwise all the way to turn heater on. The yellow power light will illuminate (Figure 4). When room reaches desired temperature, turn thermostat knob counterclockwise until you hear a click. Leave in this position to maintain room temperature at this setting. For additional heat, turn clockwise until you hear a click again and heater will turn on. To shut heater off turn thermostat knob counterclockwise all the way. The yellow power indicator light will turn off.

WARNING: Should the heater overheat, an automatic cut out will turn the heater off and it will not come back on without being reset. It can be reset by unplugging the unit and waiting 5 minutes before plugging the unit back in.

If you need to continuously reset the heater, unplug the unit and contact a licenced electrician. **DO NOT USE THE HEATER UNTIL THE CAUSE OF THE BROBLEM IS DETERMINED AND FIXED.**

Figure 4



Maintenance

WARNING: Disconnect power before attempting any maintenance or cleaning to reduce the risk of fire, electric shock or damage to persons.

CAUTION: Allow at least 30 minutes for the heater to cool before attempting any maintenance or cleaning.

NOTE: This heater should not be operated with an accumulation of dust or dirt on or in the unit, as this can cause a build up of heat and eventual damage. For this reason the heater must be inspected regularly, depending upon conditions and at least at yearly intervals.

To clean the exterior surface, use a solution of water and mild detergent, apply with damp sponge. Wipe dry with a dry cloth. **DO NOT** plug heater into outlet until it has dried thoroughly.

Warranty

Dimplex Electric Heaters are tested and inspected prior to shipment and are guaranteed free from defect to the purchaser of each new product. Any part which proves to be defective in material or workmanship under normal use within one year will be repaired or replaced without charge. The Company will not be responsible for any expense incurred for installation, removal from service, or transportation costs. Any such defect should be brought to the attention of the Dealer where the product was purchased and is authorized to repair or replace within the terms of this warranty.

The Company's only obligation under this warranty will be at its sole option to repair or replace any part proving defective or to refund the purchase price thereof.

The owner/user assumes all other risks, if any, including the risk of any direct, indirect or consequential loss or damage arising out of the use of or inability to use the product.

The warranty will not apply if, in the sole judgment of the Company, damage or failure has resulted from accident, alteration, misuse, abuse, incorrect installation, or operation on an incorrect power source.

The foregoing is in lieu of all other warranties expressed, implied, or statutory, and the Company neither assumes, nor authorizes any person to assume for it any other obligation, or liability in connection with said product.

Dimplex[®]

1367 Industrial Road • Cambridge ON Canada N3H 4W3

1-888-346-7539 • www.dimplex.com



In keeping with our policy of continuous product improvement, we reserve the right to make changes without notice.

© 2016 Dimplex North America Limited