

# Vertical Unit Heater

Directs large volumes of warm air downward, which makes this product the ideal choice for high bay heating applications. Also suitable for entryway air curtain heating in areas subject to high heat loss.



Available in Canada only

## Features

- Specially formed concentric finned elements yield maximum heat transfer
- Fan only operation circulates ceiling level heat
- Choice of diffusers for various airflow options

## Applications

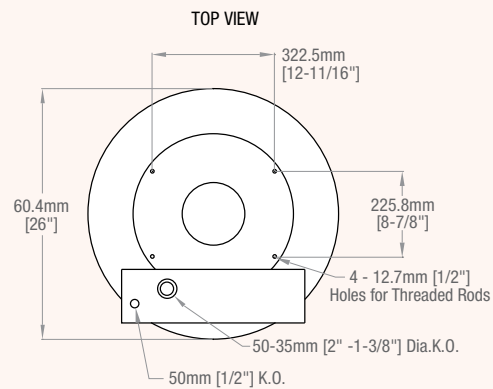
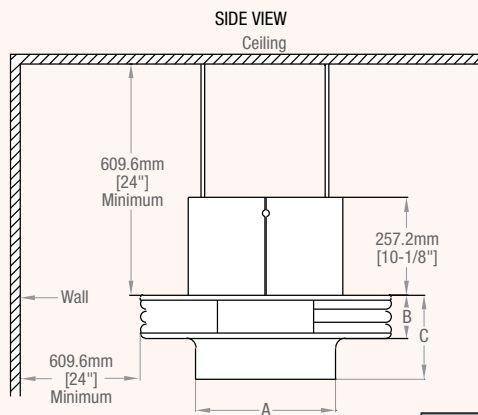
High Bay Buildings | Shipping Areas | Warehouses | Garages

## Specifications

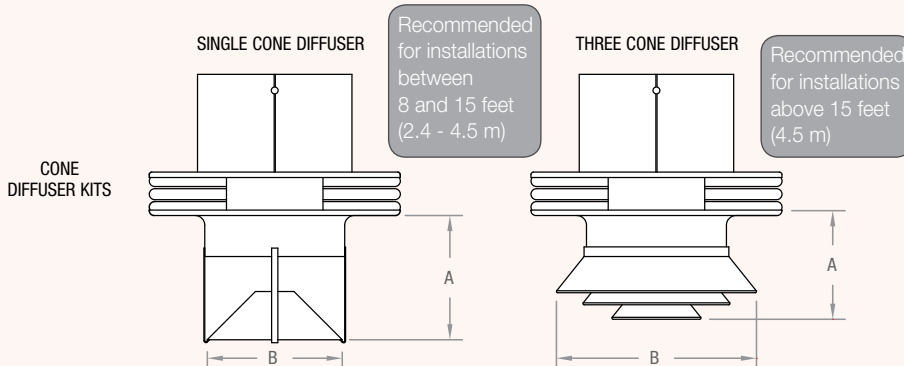
<b>Voltage</b>	- 208V, 240V, 347V, 600V
<b>Wattage</b>	- Sizes ranging from 5 to 50kW
<b>Color</b>	- Almond
<b>Finish</b>	- Polyester/epoxy powder coating resists fading and abrasion
<b>Fan &amp; Motor</b>	- The motor is a heavy duty permanently lubricated ball bearing type mounted on resilient base to absorb vibration - The fan is a propeller type, accurately balanced and correctly pitched for each individual unit
<b>Controls</b>	- 240V contactor with transformer (if required) included
<b>Heating Element</b>	- The heating element has a totally enclosed nickel chromium resistance element within steel sheathing, brazed with spiral steel fins for maximum heat transfer
<b>Warranty</b>	- 1-year warranty on complete unit

## Dimensions

Use the VUB without diffuser where a narrow air stream is needed



Series	kW	Dimensions		
		A	B	C
VUB-1E	5-25	368mm (14.5")	114mm (4.5")	222mm (8.75")
VUB-2E	30-50	470mm (18.5")	210mm (8.25")	318mm (12.5")



Cone Diffuser Dimensions		
Series	A	B
VUBCD1E	327mm (12.875")	355mm (14")
VUBCD2E	327mm (12.875")	457mm (18")
VUBH31E	190mm (7.5")	536mm (21.125")
VUBH32E	219mm (8.625")	644mm (25.375")

## Ordering Guide

Cat. No.	kW	BTU	Volts	Phase	CFM	Weight (kg/lbs.)
VUB105E23	5	17060	208	3	940	29.5 / 65
VUB105E31	5	17060	240	1	940	29.5 / 65
VUB105E51	5	17060	347	1	940	29.5 / 65
VUB105E83	5	17060	600	3	940	29.5 / 65
VUB108E23	7.5	25590	208	3	940	29.5 / 65
VUB108E31	7.5	25590	240	1	940	29.5 / 65
VUB108E51	7.5	25590	347	1	940	29.5 / 65
VUB108E83	7.5	25590	600	3	940	29.5 / 65
VUB110E23	10	34120	208	3	940	29.5 / 65
VUB110E31	10	34120	240	1	940	29.5 / 65
VUB110E51	10	34120	347	1	940	29.5 / 65
VUB110E83	10	34120	600	3	940	29.5 / 65
VUB115E23	15	51180	208	3	960	29.5 / 65
VUB115E83	15	51180	600	3	960	29.5 / 65
VUB120E83	20	68240	600	3	960	29.5 / 65
VUB125E83	25	85300	600	3	960	29.5 / 65
VUB230E83	30	102300	600	3	1730	38.6 / 85
VUB240E83	40	136500	600	3	1730	38.6 / 85
VUB250E83	50	170600	600	3	1730	38.6 / 85

## Control Options *(field installed)*

Cat. No.	Description
TS521W	Single pole remote mount wall thermostat
VUBLVC31	24V low voltage relay / transformer kit

## Accessories *(field installed)*

Cat. No.	Description
VUBCD1E	Single cone diffuser for 5-25kW units
VUBH31E	Three cone diffuser for 5-25kW units
VUBCD2E	Single cone diffuser for 30-50kW units
VUBH32E	Three cone diffuser for 30-50kW units