

## ⚠ IMPORTANT INSTRUCTIONS

When using electrical appliances, basic precautions should always be followed to reduce the risk of fire, electric shock, and injury to persons, including the following:

1. Read all instructions before using the heater.
2. The heater is hot when in use. To avoid burns, do not let bare skin touch hot surfaces. The trim around the heater outlet becomes hot during heater operation. Keep combustible materials, such as furniture, pillows, bedding, papers, clothes, and curtains at least 3 ft (0.9 m) from the front of the unit and keep them away from the sides and rear.
3. Extreme caution is necessary when any heater is used by or near children or invalids and whenever the unit is left operating and unattended.
4. Do not operate any heater after it malfunctions. Disconnect power at the service panel and have the heater inspected by a reputable electrician before reusing.
5. Do not use outdoors.
6. To disconnect the unit, turn the controls off, and then switch off at main power supply panel.
7. Do not insert or allow foreign objects to enter any ventilation or exhaust opening as this may cause an electric shock or fire, or damage to the heater.
8. To prevent a possible fire, do not block air intake or exhaust in any manner.
9. All electrical heaters have hot and arcing or sparking parts inside. Do not use in areas where gasoline, paint, or flammable liquids are used or stored.
10. Do not modify this heater. Use it only as described in this manual. Any other use not recommended by the manufacturer may cause fire, electric shock or injury to persons.

## SAVE THESE INSTRUCTIONS

### ⚡ Installation Instructions

**⚠ WARNING:** To reduce the risk of fire, do not store or use gasoline or other flammable vapors or liquids in the vicinity of the heater.

**⚠ CAUTION:** High temperature, risk of fire, keep electrical cords, drapery, furnishings, and other combustibles at least 3 feet (0.9 m) from the front of the heater.

**! NOTE:** It is extremely important to read all information labels. Care must be taken to ensure that the heater is rated the same voltage as the electrical supply wires. Failure to do so could result in unsafe heater operation as well as damage to the unit. If replacing an existing heater, check the labels of the old heater to ensure the voltage of the new heater is compatible.

**! NOTE:** Care must be taken to prevent undue strain on all wiring or heating element assembly, when removing and re-assembling heating element assembly.

**⚠ CAUTION:** For field rewiring to 120V all leads must be se-

cured under wire clamps.

**! NOTE:** Air and grille temperatures conform to CSA & UL regulations but may discolour certain materials, particularly those materials incorporating clear vinyl. Materials should be checked prior to installation to determine if discolouration or distortion would occur in the vicinity of 60° C (140° F)

### Kickspace Installation

**! NOTE:** Unit should be installed so that it is not directly under sink or other frequently used work area as air temperature may be uncomfortably warm. Also, if carpeting is on floor, mount unit so bottom of grille is level or above the top of the carpet pile.

1. Measure area of intended use. If there is not sufficient room for the grille frame, the frame may be removed by removing grille frame from heater (screw "A"), remove frame and re-insert grille.
2. Cut 22 3/8 in (568 mm) x 3 5/8 in (92 mm) opening (Figure 2). Keep clearance area free of obstructions.
3. Bring in service cable to left or rear of 10 in (254 mm) minimum area as shown in Fig.2.
4. Remove heater cover and appropriate knockout. Attach service cable to unit with approved connector and connect

FIGURE 1

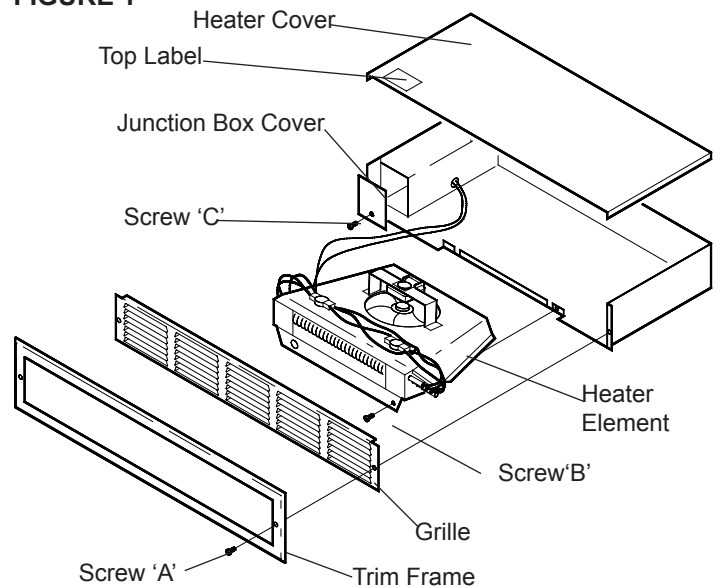
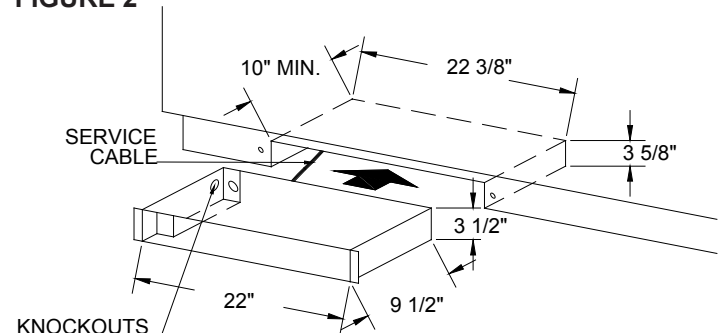


FIGURE 2



colour to colour in outlet box. To change wattage or voltage connections, see Figure 4.

- Replace cover, slide unit into opening, and secure each side (Figure 1).

**! NOTE: Make sure unit is installed right side up. Refer to "TOP" label.**

For inspection of field wiring, see instruction under "Electrical Inspection".

### Soffit or Stair Riser Installation

- Cut opening as for kickspace installation (22 3/8 in (568 mm) x 3 5/8 in (92 mm)). Allow 3/4 in (19 mm) clearance above cabinet doors. Add supports for unit (Figure 3).
- Proceed as for kickspace installation. After securing unit in opening, install combination of frame and grille (Figure 1).

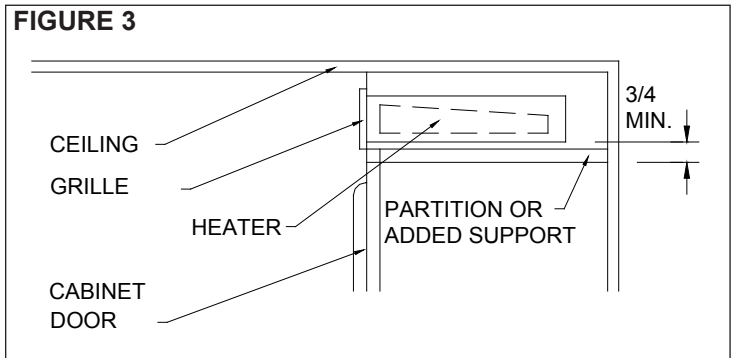
### Operation

**! WARNING:** This heater must be properly installed before it is used.

- Prior to energization remove all construction dirt (plaster, sawdust, etc.) from interior and exterior of heater.
- Adjust thermostat with pliers. This unit is also controllable from a line voltage wall thermostat or field installed built-in tamperproof single or double pole thermostat kit.

Dimplex kickspace heaters are designed and tested for safe and trouble-free operation. All Dimplex kickspace heaters are protected against overheating by a built-in thermal cutout. Free airflow throughout the heater is extremely important for the most efficient operation of the heater. Restricted airflow may cause the thermal overload protector to cycle the heater "ON and OFF". A cycling heater will not supply sufficient heat to the room.

Avoid direct contact of paper, fabric, or furniture with heater.



### Maintenance

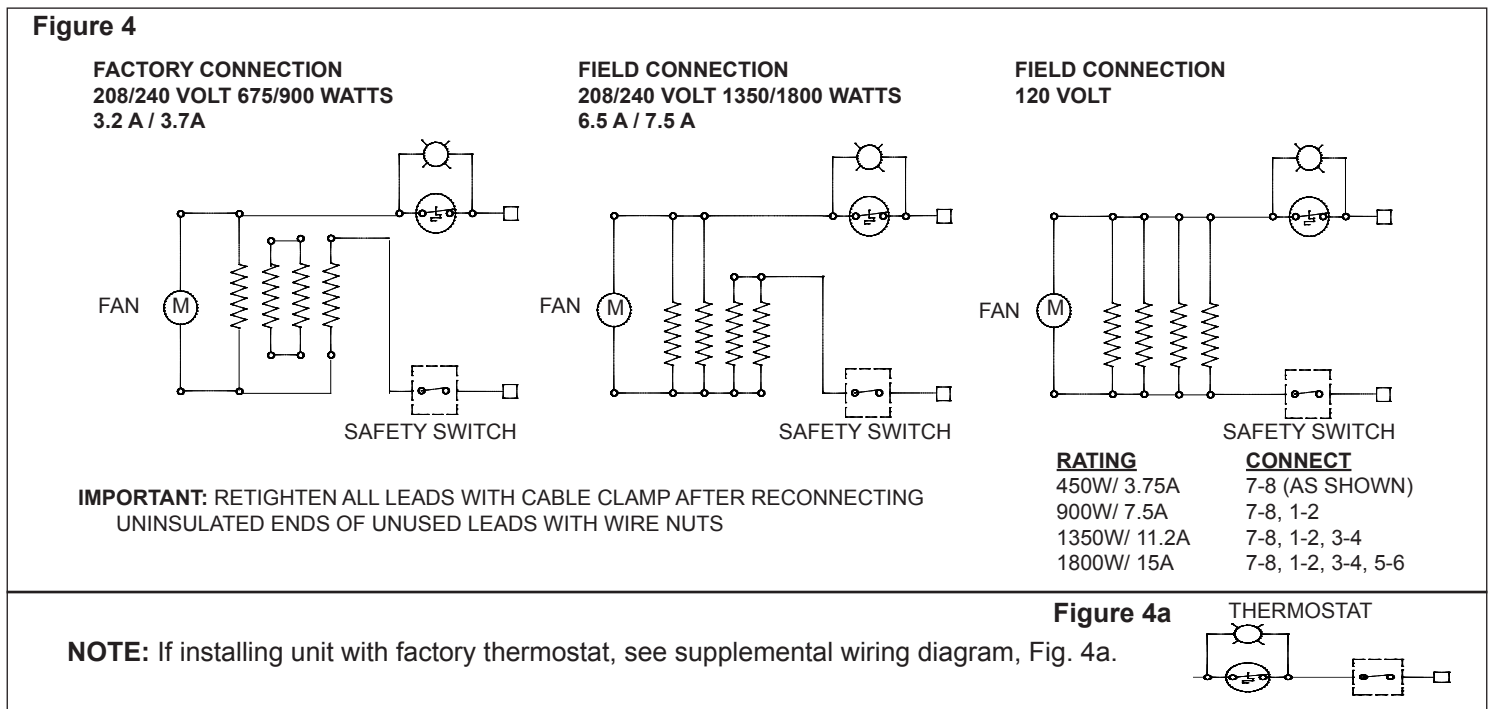
**! WARNING:** Disconnect power and heater has cooled before attempting any maintenance or cleaning to reduce the risk of fire, electric shock or damage to persons.

Remove grille and frame by removing screws "A". Remove two screws "B", and slide out heating assembly. When re-assembling, reverse the procedure above.

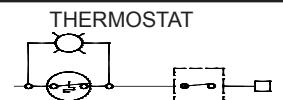
### Cleaning

**! NOTE:** This heater should not be operated with an accumulation of dust or dirt on or in the unit, as this can cause a build up of heat and eventual damage. For this reason the heater must be inspected regularly, depending upon conditions and at least at yearly intervals.

- With grille in place** - Use vacuum cleaner hose to suck out lint and dirt around grille. Reverse hose on vacuum to use as a blower to move dust out of enclosure. Reverse hose back to suck out dirt at front area of heater.
- With grille removed** - Remove two screws "B" at bottom front of heating element assembly. Pull gently to remove it from enclosure. Swing assembly out. Vacuum inside of enclosure and around heating element assembly. Reverse procedure above to re-assemble unit.



**NOTE:** If installing unit with factory thermostat, see supplemental wiring diagram, Fig. 4a.



## Warranty

The Manufacturer warrants the heating elements and components of the enclosed product against any defect in material or workmanship for a period of one year from the date of purchase. In full satisfaction of any claims under this Warranty the Manufacturer will repair or replace without charge, in its factory or in the field as it alone may decide, any parts which in its opinion are defective.

The Manufacturer shall not be responsible for any transportation or shipping costs in relation to such repair or replacement except as specifically assumed by it. Misuse of this product or repairs by persons other than the Manufacturer's authorized personnel without the Manufacturer's written approval, will void this Warranty.

This Warranty is in lieu of all other warranties or conditions whether expressed or implied including but not limited to those of merchantability or fitness for purpose and shall constitute the sole remedy of the Purchaser and the sole liability of the Manufacturer in respect of the sale of the product, whether in the nature of breach or breach of fundamental term, or of negligence or otherwise.

The Manufacturer shall not be liable for any special, indirect or consequential damages or for any damages resulting from removal or replacement of a heater subject to warranty claim without the Manufacturer's authorization.

This Warranty is transferable by the original consumer purchaser of the product. Any claims under this Warranty must be submitted in writing to the Service Manager, Dimplex North America Ltd., 1367 Industrial Rd., Cambridge, Ontario N1R 7G8, Canada.

## Replacement Parts

	CKHA20D31	CKHA20D31W	RKHA20D31W
<b>Motor</b>	2000280400RP		
<b>Fan Blade</b>	5300210100RP		
<b>Element</b>	2203260100RP		
<b>Cut Out (Manual)</b>	03005035RP		
<b>Cut Out (Automatic)</b>	211A619RP		
<b>Grill Kit</b>	CKHABG	CKHAWG	CKHAWG



1367 Industrial Road • Cambridge ON Canada N1R 7G8  
1-888-346-7539 • www.dimplex.com

In keeping with our policy of continuous product improvement, we reserve the right to make changes without notice.  
© 2015 Dimplex North America Limited

